

# American® DR and A Hand Dryer Series

Maintenance free  
 Quiet, dependable operation  
 360° revolving nozzle  
 Vandal resistant  
 Durable finish-looks new for years  
 10 year limited warranty



DR-TN Series White Automatic



DR-TNSS Stainless Steel Automatic



DR-N Series White Push Button



A-T Series White Automatic / Surface Mount

THE DR AND A SERIES HAND DRYERS' TIME-TESTED DESIGN FEATURES QUIET, DEPENDABLE OPERATION IN A HEAVY DUTY, VANDAL-RESISTANT PACKAGE.

## construction features:

**DR SERIES COVER & FINISH** – One-piece, heavy duty, 16 gauge steel with white enamel finish or optional 18 gauge type 304 stainless steel with brushed finish (SS).

**A SERIES COVER & FINISH** – One-piece, heavy duty, 1/4" thick cast iron cover with white porcelain enamel finish is **the ultimate in vandal resistance**.

**TAMPER RESISTANT** – Tamper resistant screws secure cover to base. Air intake vents are shielded for additional safety.

**MOTOR** – Permanently lubricated, maintenance free, brushless induction motor with automatic resetting thermal protector. 1/10 HP, 3200 RPM.

**NOZZLE & PUSH BUTTON** – Chrome plated zinc die castings. 360° revolving nozzle is standard. A fixed nozzle (F) is optional on all models.

**DR SERIES TIMER** – Push button models use a heavy duty timer for extended life. Turns on with a light touch. Turns off automatically.

**AUTOMATIC SENSOR** – RoHS compliant lead-free design. Microprocessor controlled infrared sensor turns dryer on when hands are under the outlet for up to 60 seconds.

**HEATING ELEMENT** – Constructed of NiChrome resistance wire with automatic resetting thermostat. Side mounted heating element operates in the black range for maximum life.

## specifications DR and A

AIR FLOW	160 CFM (Cubic Feet per Min.)
AIR VELOCITY	5500 LFM (Linear Feet per Min.)
AIR TEMP	130 - 145°F at 72°F Ambient
SOUND LEVEL	71 dB (Quietest in its class)
DIMENSIONS SURFACE	<b>DR</b> 11" W x 9-1/4" H x 8-7/8" D
	<b>A</b> 11-3/8" W x 9-7/8" H x 8-7/8" D

**WARRANTY:** 10-year limited warranty. Includes same day factory repair or part replacement. Sensor 5 years. See owner's manual for details.

## DR model reference chart

AUTOMATIC		PUSH BUTTON		ELECTRICAL RATINGS			
Surface Model	Drying Cycle	Surface Model	Drying Cycle	Volts	Amps	Watts	Hertz
DR10TN	Auto	DR10N	40 sec	110-120	15	1725	60
DR20TN	Auto	DR20N	30 sec	110-120	20	2300	60
DR35TN	Auto	DR35N	30 sec	208-240	10	2300	50/60

**AVAILABLE OPTIONS FOR AUTOMATIC MODELS ONLY:**  
 Stainless steel cover add (SS) after model no.  
 Hair drying with 80 second cycle add (H) after model no.  
**ALL MODELS - Fixed nozzle add (F) after model no.**

## A model reference chart

AUTOMATIC		ELECTRICAL RATINGS			
Surface Model	Drying Cycle	Volts	Amps	Watts	Hertz
A70T	Auto	110-120	20	2300	60
A80T	Auto	208-240	10	2300	50/60

**AVAILABLE OPTIONS:** Fixed nozzle add (F) after model no.

## DR Series Mounting Diagrams

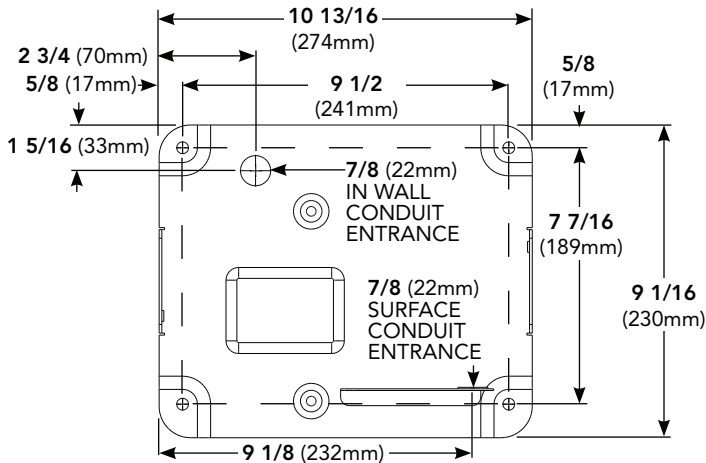


Figure 1 - DR Series Surface Mount

## A Series Mounting Diagrams

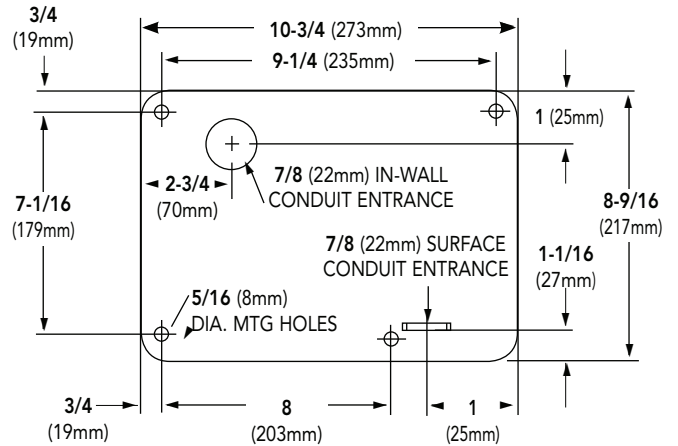


Figure 2 - A-T Series Surface Mount

Represented by:

1.877.652.9640  
248.652.9640

Commercial and Residential  
Monday-Friday 8am - 5pm EST



**Green Electrical Supply**  
www.GreenElectricalSupply.com  
2355 Arizona Court, Rochester Hills, MI 48309

### GENERAL INFORMATION

#### DRYER PLACEMENT:

Dryers should be placed at least 2 feet apart and at least 12" from washbasin. Do not install dryer over washbasin. Automatic dryers should be at least 18" above any projection which may interfere with the operation of the automatic sensor.

#### DRYER INSTALLATION:

Hand dryers require a dedicated circuit (max. 20 amp) and must be properly grounded. One side of dryer should be mounted to a stud. All surface mount dryers are provided with conduit entrances for both between wall and surface wiring.

#### QUANTITY ESTIMATE, HAND DRYER:

Average traffic washroom.....1 dryer per 2 washbasins  
Heavy traffic washroom.....1 dryer per washbasin  
54" wash fountain.....4 dryers per sink

#### MOUNTING HEIGHTS: (From floor to bottom of hand dryer)

Men.....42"  
Women.....40"  
Children.....30" - 40"  
Handicapped.....34"

#### SHIPPING WEIGHT:

DR Series 16 lbs, A Series 28 lbs

 Printed on Recycled Paper

