

MLSWP20LED50DS



LED WALLMAX - SMALL 20W WALL PACK: DARK SKY

Fully qualified where "Dark Sky compliance" is required; DLC listed on the "Approved Product List", so the fixture is available in all programs that require approved products.

LED Module: Full cut-off at 90 degree plane. This makes the fixture an efficient, energy saving replacement for metal halide and high-pressure sodium fixtures. Self-contained UL Driver.

Fixture can mount to electrical box or direct to surface.

FEATURES:

- Replaces 80 Watt Metal Halide
- DLC qualified
- Dark Sky approved
- Lumens delivered 1400
- 20 Watts
- 5000K
- 50,000 hour life at L70 standards
- Self-contained driver
- Universal 120V through 277V
- Maintenance free; no UV
- Dusk To Dawn / Occupancy sensor compatible
- Can mount on electrical box or direct to surface
- LM-79/80 data available
- 5 Year Limited Warranty
- 30W, 40W, and 60W models available
- Does not attract insects

CONSTRUCTION:

Fixture: Heavy-duty cast aluminum one-piece housing; epoxy coated; rust and corrosion proof. Fixture is sealed to be dirt and bug proof.

Lens: High quality anti-shock Boran glass.

LED Module: Copper plating to provide high thermal transfer rate minimizing junction temperature of LED.

PROJECT NAME
CATALOG NUMBER
NOTES
FIXTURE TYPE



Luminaire Ordering Information:

WATTS	ORDER CODE	MODEL NUMBER	LUMENS	LAMP LIFE (Hrs)	DIMENSIONS (L"xW"xH")	K
20	70881	MLSWP20LED50DS	1400	50,000	12.6 x 11.26 x 9.0	5000

Lighting layouts and spacing criteria available upon request



Green Electrical Supply

GreenElectricalSupply.com

Call 877-652-9640 for quantity discounts and low price guarantee.



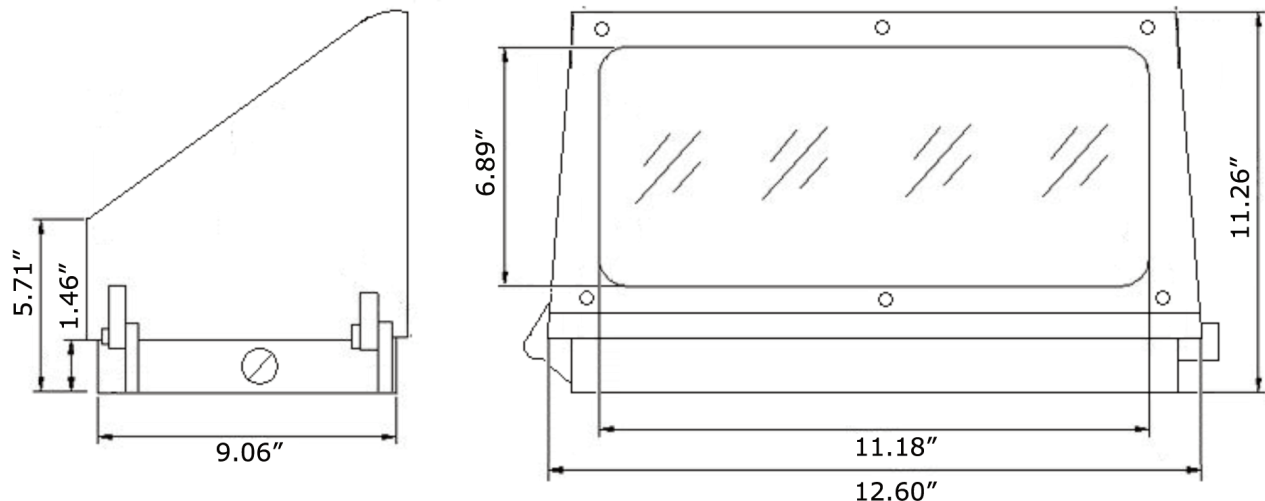
MAX11074-9-23

SPECIFICATIONS:

Item	Specification	Details
General Performance	Spacing Criteria	Available upon request
	Color Temperature	5000K
	Lumens	1400
	Efficacy	64 lumen/watt
	Color Consistency	Proprietary binning for uniform color
	Lumen Maintenance (L70)	50,000 hours
Electrical	Power Factor	Over 98%
	Input Voltage	120V-277V 50/60 Hz
	Power Consumption	20 Watts
Physical	Dimensions	12.6" x 11.26" x 9.0"
	Weight	6.15 lbs
	Housing	Aluminum
	Lens	Anti-Shock Boron Glass
	Mounting	Fits electrical box or mount direction surface
	Operating Temperature	-30°F to 130°F
	Humidity	20% - 85% RH, non condensing
Certification	Certification	ETL, FCC, DLC, NEEP, LM79, LM80
	Material Usage	RoHS compliant; no mercury
	Environment	Indoor / Outdoor
	LED Class	L70 rated to 50,000 hours

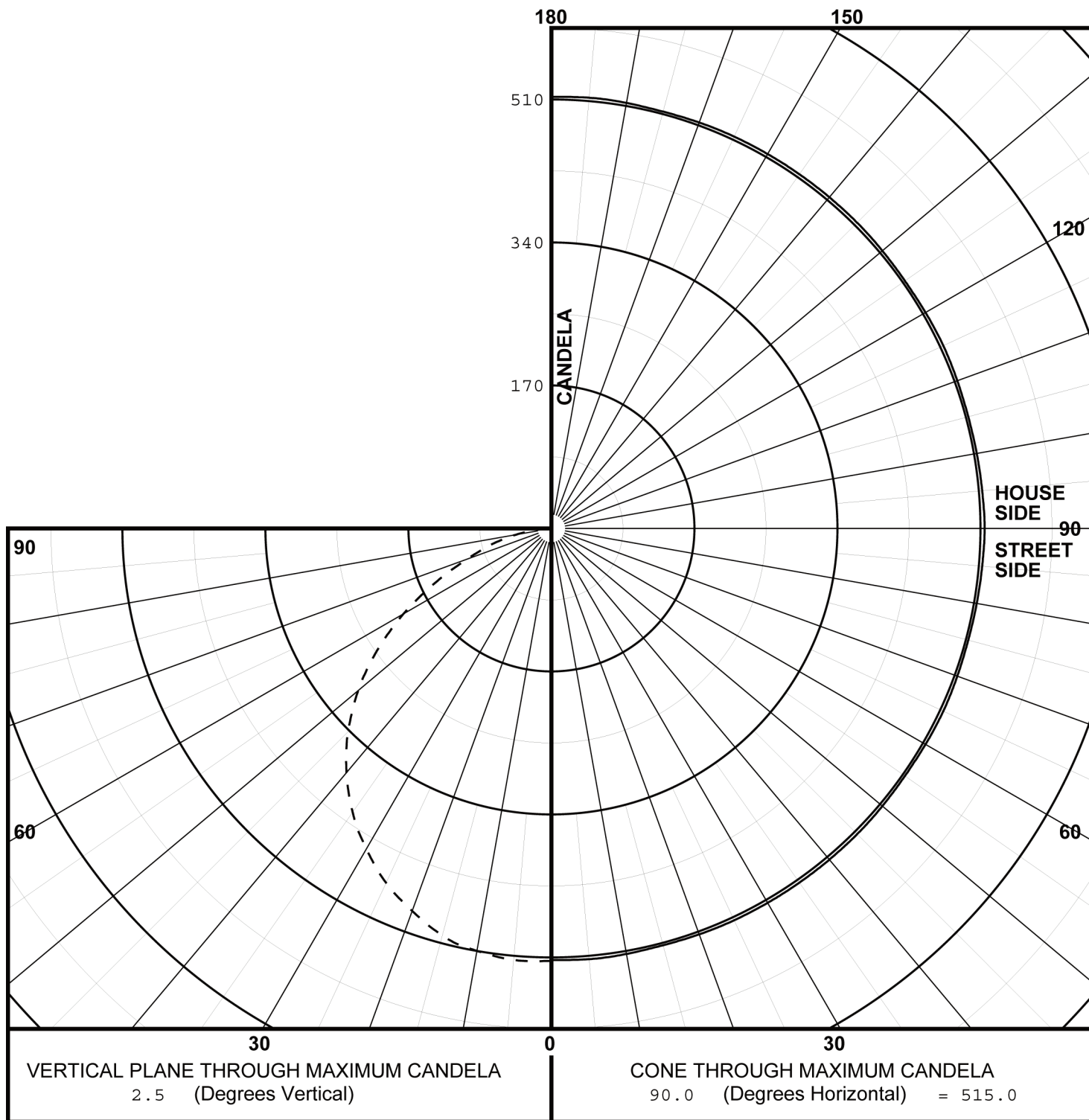
Lighting layouts and spacing criteria available upon request

DIMENSIONS:



PHOTOMETRICS:

MAXIMUM PLANE AND MAXIMUM CONE PLOTS OF CANDELA



Lighting layouts and spacing criteria available upon request