

WARNING: DISCONNECT POWER BEFORE INSTALLING
DESUNA LA ELECTRICIDAD ANTES DE HACER REPARACIONES

INSTALLATION INSTRUCTIONS

- Note: Automatic dryers are not recommended for hair drying use.
1. Remove the cover by removing (2) tamper resistant screws using security wrench supplied. **IMPORTANT: Save security wrench.**
 2. Dryers should be placed at least 2 feet (61cm) apart and at least 12" (30cm) from washbasin. Do not install dryer over washbasin. Automatic dryers should be at least 18" (46cm) above any projection which may interfere with the operation of the automatic sensor.

Hold the backplate to the wall at the suggested mounting height. Measure from bottom edge of **backplate** to the floor (**Ref. Dimension "A" Fig. 1**)

| | MEN | WOMEN | CHILDREN (depends on age) | DISABLED |
|------------------|-------------|--------------|--------------------------------------|-----------------|
| DR-N Hand Dryer | 42" (107cm) | 40"(102cm) | 30-40" (76-102cm) | 34" (86cm) |
| DR-NH Hair Dryer | 72" (183cm) | 68"(173cm) | 46-68"(117-173cm) | 52"(132cm) |

3. Mark the locations of the four mounting holes and the conduit entrance location on the wall. (The conduit entrance is the proper hole diameter for 1/2 inch (13mm) conduit.)
4. Fasten the backplate to the wall where previously marked.
RECOMMENDATION:
Wood wall - No. 16 (M8) wood screws, 2 3/4" (70mm) long
Cement or brick - 1/4" (M6) stud expansion bolts, 3" (76mm) long
Hollow wall - 1/4" (M6) toggle bolts, length depends on wall thickness
5. Run service wire to the dryer location and connect to the terminal block. **IMPORTANT:** All units must be supplied with 3 wire service. Use No. 12 wire or larger, as required by local electrical code. The ground wire must be connected to the dryer backplate. Unit must be installed by a qualified licensed electrician.
CONNECT TO A DEDICATED CIRCUIT NOT TO EXCEED 20 AMPS.

Dryers located in shower rooms or other wet locations should be equipped with ground fault Interrupter(s).

6. **Carefully** replace the cover using (2) tamper-resistant screws supplied. Be careful not to damage circuit board or sensor. Apply a bead of caulk around edge of cover to wall.

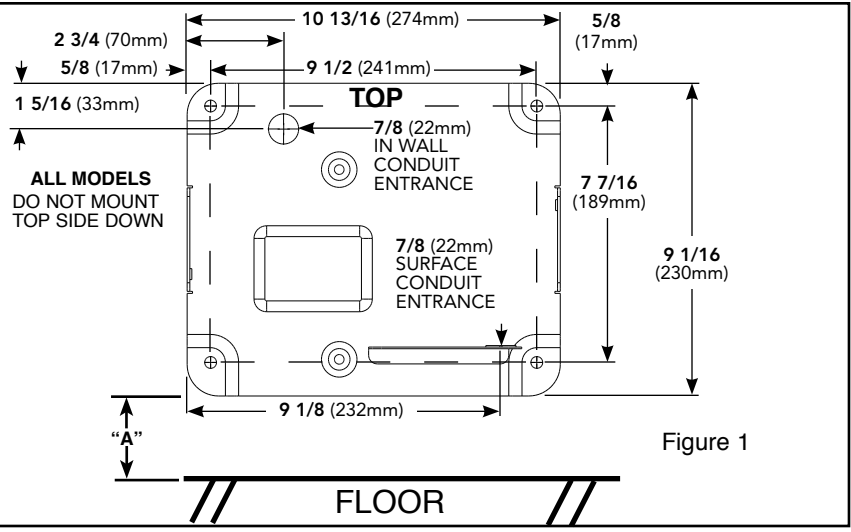


Figure 1

OWNER'S MANUAL
"DR" HAND AND HAIR DRYERS

WARNING:

DISCONNECT POWER BEFORE SERVICING
DESUNA LA ELECTRICIDAD ANTES DE HACER REPARACIONES

SERVICE & MAINTENANCE OF YOUR DRYER

Each component used in your dryer has been designed to provide years of trouble free service. However, if trouble should develop, it can normally be located by visual examination. Removal or replacement of most parts is simple and can be done without special tools.

IF COLD AIR IS COMING FROM THE NOZZLE:

Remove the cover and check the heating element. If the element is broken or burned out, replace it.

IF NO AIR IS COMING FROM THE NOZZLE AND HEATING ELEMENT GLOWS:

Remove the cover and check to see that the fan revolves freely. Check and replace motor, if required.

IF NO AIR IS COMING FROM THE NOZZLE AND HEATING ELEMENT IS NOT IN OPERATION:

Check the thermostat. Assuming the thermostat is okay the timer or sensor should be replaced.

IF DRYER WILL NOT SHUT OFF:

Make certain the push button returns out fully after being pushed in and released. If button moves freely, replace the timer.

AUTOMATIC DRYERS:

Check that circuit board and sensor are clean from dust and lint (carefully dust off). Make sure plastic window is clean on both sides. Foam piece on window must remain intact. When replacing dryer cover, be careful not to damage circuit board or sensor.

This dryer is activated by an infrared sensor. The dryer operates as long as hands are below nozzle. There is a maximum 80 second running time with a safety over-ride feature, if hands are not removed. Sensitivity is adjustable (FIGURE 3) by CAREFULLY turning the adjustment pot located on the sensor. Use a small flat blade screw driver. 1/3 Turn MAX. Turn CLOCKWISE to INCREASE sensitivity, COUNTER-CLOCKWISE to DECREASE sensitivity.

FOR ANY OTHER PROBLEM, CONTACT FACTORY FOR ASSISTANCE.

CLEANING - DO NOT spray cleaning solvents thru dryer vents. DO NOT use abrasive, chlorinated, or highly alkaline cleaners. DO NOT use oil based cleaners.

SEMI-ANNUALLY remove the cover and clean all lint and dust from the mechanism, inside of cover, and plastic window.

Clean cover with a mild soap or detergent and warm water, using a soft cloth or sponge.

PARTS LIST FOR "DR" MODELS (TIMERS ARE FOR PUSH BUTTON MODELS)

| | |
|---------|--|
| DR202 | COVER COMPLETE, MUST SPECIFY MODEL #, PUSH BUTTON OR AUTOMATIC, AND COLOR. |
| DR221 | TIMER, 115V, 30 SECONDS (DR20) |
| DR222 | TIMER, 115V, 40 SECONDS (DR10) |
| DR223 | TIMER, 115V, 80 SECONDS (DR10NH, DR20NH) |
| DR224 | TIMER, 230V, 30 SECONDS (DR35) |
| DR225 | TIMER, 230V, 80 SECONDS (DR35NH) |
| DR218 | HEATING ELEMENT (DR10) |
| DR219 | HEATING ELEMENT (DR20) |
| DR220 | HEATING ELEMENT (DR35) |
| DR227 | THERMOSTAT (CIRCUIT BREAKER) |
| DR232 | SECURITY SCREW & SPECIAL ALLEN WRENCH |
| DR239-P | SENSOR COMPLETE, 110-240 VOLT (AUTOMATIC MODELS) |
| SP216C | MOTOR, 115V, 60HZ (DR10, DR20) |
| SP217C | MOTOR, 208-240V, 50/60HZ (DR35) |

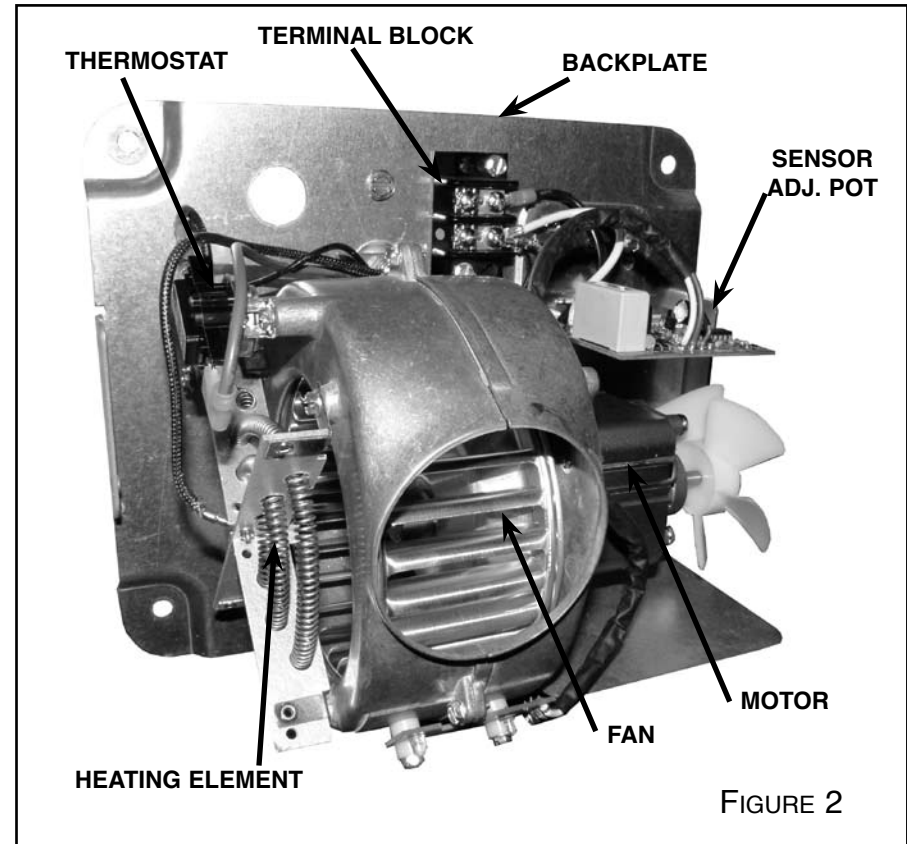


FIGURE 2

