

DR SERIES RECESS KIT INSTALLATION INSTRUCTIONS

This recess kit is only compatible with DR series hand dryers with steel back plates using two side mounted tamper resistant screws.

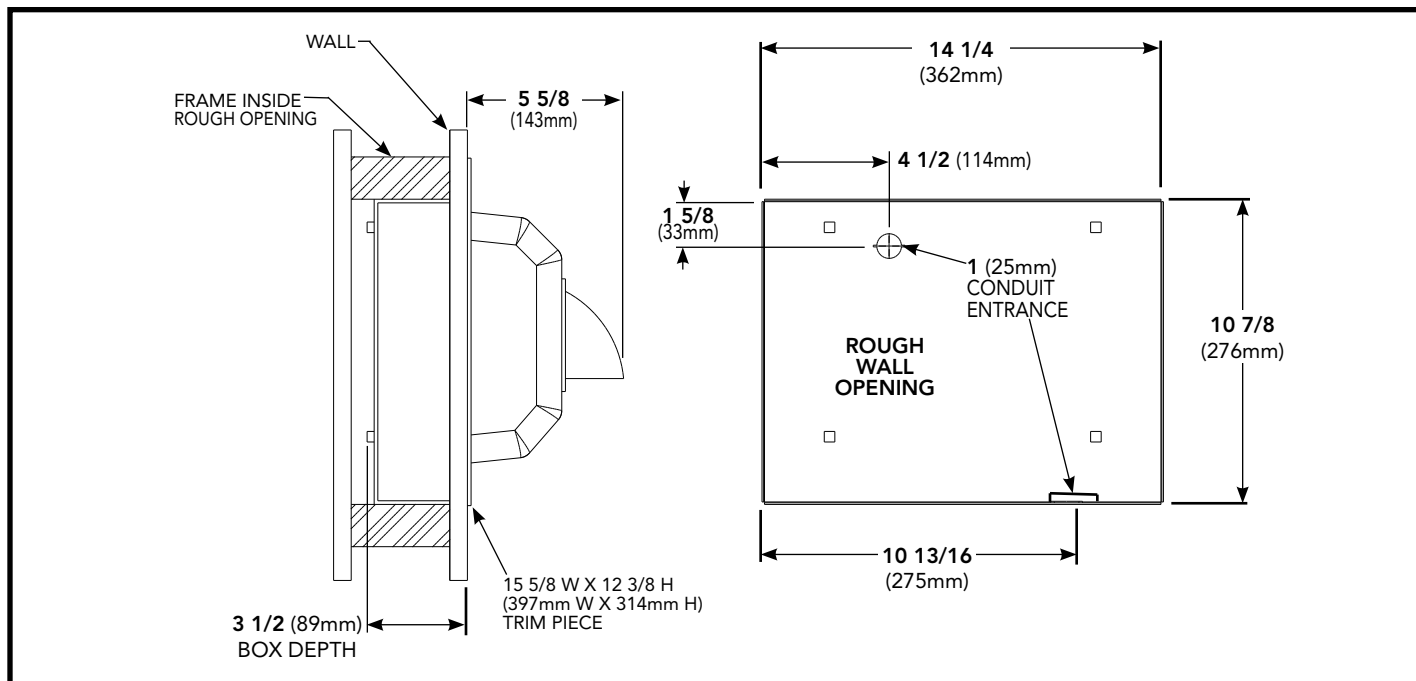
1. Your recess kit consists of the following:

- | | |
|--|------------------------------|
| (1) DR234 Steel Recess Box | (4) 1/4" Flat Washer |
| (1) DR235 Steel Trim Piece (white or stainless steel) | (4) #8 X 1 1/2" Wood Screw |
| (4) 1/4"-20 Bolts to mount dryer back plate to Recess Box | (1) Long arm security wrench |
| (2) 1/4"-20 Bolts - Optional for easier installation of dryer cover.
(Replace the two tamper proof screws that secure the cover.) | |

#10 wood screws used to mount the recess box to the wood framing are **NOT** provided.

2. Suggested **maximum** mounting heights from **FLOOR** to **BOTTOM EDGE** of **RECESS BOX**:

MEN	40" (102cm)
WOMEN	38" (97cm)
CHILDREN (Depends on age)	28" - 38" (71-97cm)
HANDICAPPED	32" (81cm)



- Suggested wall opening of 14 1/4" wide X 10 7/8" high X 3 1/2" minimum depth. Wall opening should be framed on all four sides with openings to allow easy access to electrical conduit.
- Install recess box into frame using eight #10 wood screws (not supplied). The front metal edge of the recess box must be **FLUSH** with the finished wall.
- Remove metal cover from hand dryer assembly by removing the two tamper resistant screws. (See hand dryer owner's manual for details.)
- Place dryer assembly into recess box and attach with four 1/4"-20 bolts and washers.
- Unit **MUST** be installed by a qualified licensed electrician. Connect electrical service lead wires to terminal block. The ground wire **MUST** be connected to the ground screw. Use No. 12-3 or 10-3 gage wire as required by your local electric code. Connect to a **DEDICATED** line NOT to exceed 20 Amps.
- Carefully replace the dryer cover using the two tamper resistant bolts with long arm security wrench or optional 1/4"-20 bolts. Hold trim piece in place on wall. Attach using four #8 X 1 1/2" wood screws supplied.

WARNING: DISCONNECT POWER BEFORE INSTALLING
DESUNA LA ELECTRICIDAD ANTES DE HACER REPARACIONES