



<b>KTEB-120-1-TP</b>	
Ballast Type	Electronic
Starting Method	Rapid Start
Lamp Connection	
Input Voltage	120Vac ± 10%
Input Frequency	60Hz / 50Hz

**ELECTRICAL SPECIFICATIONS:**

Lamp Type	No. of Lamp	Input Watts	Input Current (Amps)	Power Factor	Crest Factor	Ballast Factor	Ballast Efficacy Factor	Max. THD %
F20T8	1	18	0.26	0.56	1.49	0.9	5.00	130
F20T12	1	18	0.26	0.56	1.49	0.9	5.00	130
F18T8	1	17.5	0.26	0.55	1.56	0.95	5.43	140
F17T8	1	18.5	0.27	0.56	1.52	1.0	5.41	140
F15T8	1	16	0.25	0.55	1.58	1.0	6.25	140
F15T12	1	16	0.25	0.54	1.56	1.0	6.25	140
F14T8	1	15.5	0.24	0.54	1.59	1.0	6.45	150
F14T12	1	15.5	0.24	0.54	1.59	1.0	6.45	150

**PERFORMANCE:**

- Sound Rated: A
- Minimum Starting Temperature: 0° F, -18° C
- Maximum Case Temperature: 167° F, 75° C
- Transient Protection meets ANSI/IEEE C62.41 Cat. A
- Lamp end-of-life protected

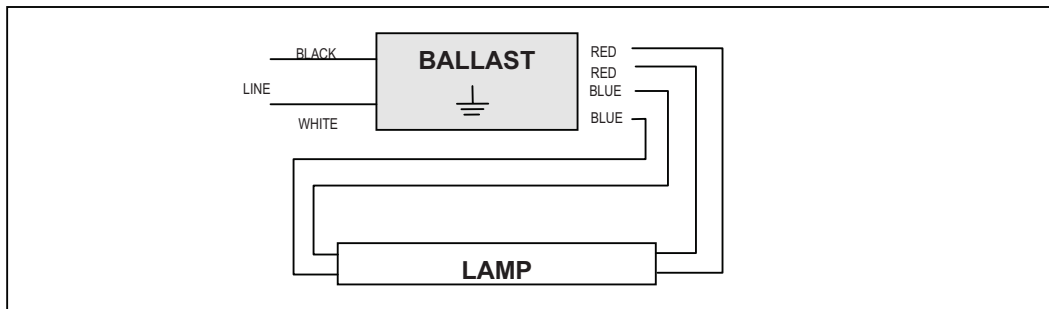
**APPROVALS:**

- UL, cUL 935 listed.

**PHYSICAL DIMENSIONS:**

Length (L):	3.06"
Width (W):	1.45"
Height (H):	1.04"
Mounting (M):	2.75"
Lead Length:	
White, Black	12" x 12"
Blue	18"
Red	18"

**WIRING DIAGRAM:**



1.877.652.9640  
248.652.9640

Commercial and Residential  
Monday-Friday 8am - 5pm EST

**Green Electrical Supply**  
www.GreenElectricalSupply.com  
2355 Arizona Court, Rochester Hills, MI 48309