



KTEB-128-1-TP-FC-PH	
Ballast Type	Electronic
Starting Method	Rapid Start
Lamp Connection	Series (2 Lamp)
Input Voltage	120Vac ± 10%
Input Frequency	60Hz / 50Hz

ELECTRICAL SPECIFICATIONS:

Lamp Type	No. of Lamp	Input Watts	Input Current (Amps)	Power Factor	Crest Factor	Ballast Factor	Ballast Efficacy Factor	Max. THD %
F28T5	1	31.0	0.45	0.57	1.45	0.90	2.90	150
F21T5	1	25.5	0.38	0.56	1.45	1.00	3.92	150
F14T5	2	31.0	0.45	0.57	1.46	0.95	3.06	150

PERFORMANCE:

- Sound Rated: A
- Minimum Starting Temperature: 0°F, -18°C
- Maximum Case Temperature: 167°F, 75°C
- Meets FCC Part 18 (Class B) Consumer Limits
- Transient Protection meets ANSI/IEEE C62.41 Cat. A
- Lamp end-of-life protected
- 3-Year Warranty

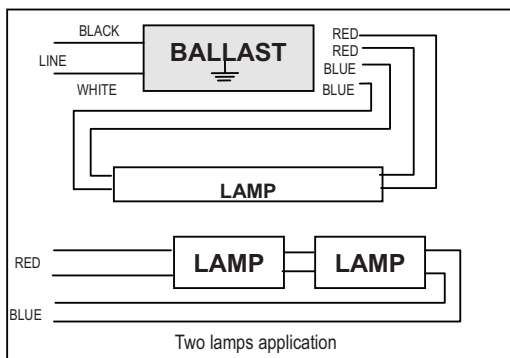
APPROVALS:

- UL, cUL 935 listed

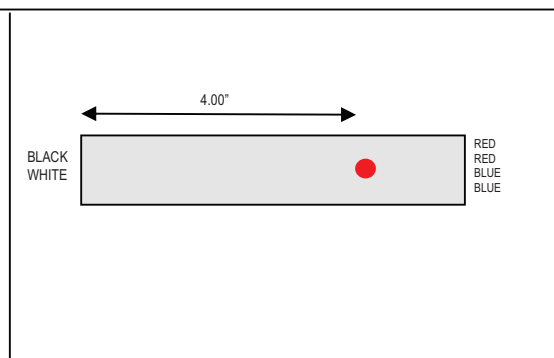
PHYSICAL DIMENSIONS:

<p>Length (L): 5.90" Width (W): 0.91" Height (H): 0.76" Mounting (M1, M2) 5.60"</p>	
---	--

WIRING DIAGRAM:



Hot Spot Location:



1.877.652.9640
248.652.9640

Commercial and Residential
Monday-Friday 8am - 5pm EST

Green Electrical Supply
www.GreenElectricalSupply.com
2355 Arizona Court, Rochester Hills, MI 48309