



www.KeystoneBallast.com

# KTEB-132-UV-IS-L-P

T8 ELECTRONIC FLUORESCENT

**CEE**  
Qualified

**RoHS**  
Compliant

**UL**  
US LISTED

**NEMA**  
Premium

## PRODUCT FEATURES

<b>STARTING METHOD:</b> Instant Start	<b>INPUT VOLTAGE:</b> 120-277VAC ±10%	<b>WARRANTY:</b> 5 Years	<b>LIGHT OUTPUT:</b> Reduced
<b>LAMP CONNECTION:</b> Parallel	<b>INPUT FREQUENCY:</b> 60/50 Hz	<b>POWER FACTOR:</b> Normal	

## ELECTRICAL SPECIFICATIONS

LAMP TYPE	NO. OF LAMPS	INPUT VOLTS	INPUT WATTS	INPUT CURRENT (AMPS)	POWER FACTOR	CREST FACTOR	BALLAST FACTOR	BALLAST EFFICACY FACTOR	MAX THD	WIRING DIAGRAM
F32T8 32W	1	120	25	0.21	0.99	<1.70	0.77	3.08	<10	F1-9
		277	25	0.10	0.98	<1.70	0.77	3.08	<10	F1-9
F32T8 30W	1	120	23	0.20	0.99	<1.70	0.77	3.35	<10	F1-9
		277	23	0.09	0.98	<1.70	0.77	3.35	<10	F1-9
F32T8 28W	1	120	21	0.08	0.99	<1.70	0.77	3.67	<10	F1-9
		277	21	0.08	0.97	<1.70	0.77	3.67	<12	F1-9
F32T8 25W	1	120	20	0.17	0.99	<1.70	0.77	3.85	<10	F1-9
		277	20	0.08	0.97	<1.70	0.77	3.85	<12	F1-9
F25T8	1	120	19	0.16	0.99	<1.70	0.78	4.11	<10	F1-9
		277	19	0.07	0.97	<1.70	0.78	4.11	<12	F1-9
F17T8	1	120	14	0.12	0.99	<1.70	0.78	5.57	<10	F1-9
		277	14	0.06	0.95	<1.70	0.78	5.57	<12	F1-9

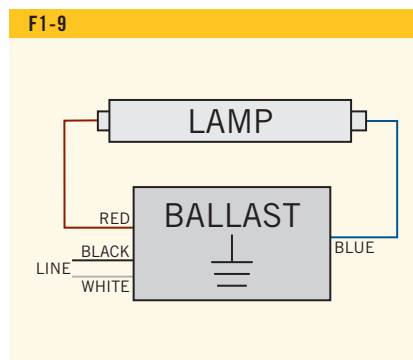
### PERFORMANCE:

- Sound Rated: A
- Minimum Starting Temperature: 0°F, -18°C
- Maximum Case Temperature: 167°F, 75°C
- Meets FCC Part 18 (Class B) Consumer Limits
- Transient Protection Meets ANSI/IEEE C62.41 Cat. A
- Ballast Frequency for All Listed Lamps: >40kHz
- 5-Year Warranty

### APPROVALS:

- UL, cUL 935 Listed, Class P, Type 1 Outdoor

## WIRING DIAGRAMS



KEYSTONE TECHNOLOGIES, LLC TOLL FREE (800) 464-2680 FAX (215) 628-4412  
P.O. Box 246, Ambler, PA 19002 [www.KeystoneBallast.com](http://www.KeystoneBallast.com)

Specifications subject to change.

Revised 11-19-2010  
specsheel\_v1

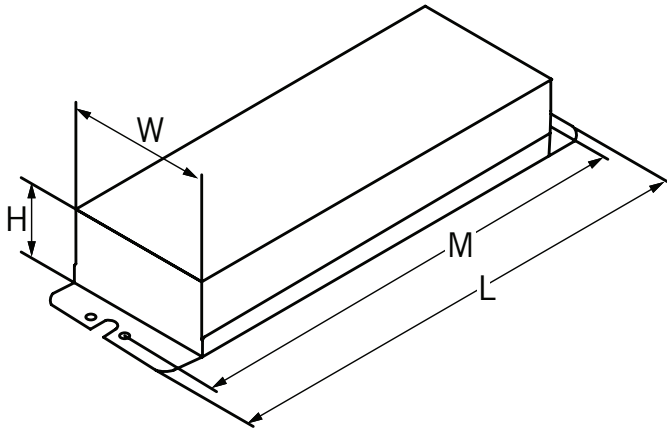


www.KeystoneBallast.com

# KTEB-132-UV-IS-L-P

T8 ELECTRONIC FLUORESCENT

## CASE STYLE/DIMENSIONS



### CASE DIMENSIONS

LENGTH: 9.50"
WIDTH: 1.16"
HEIGHT: 1.05"
MOUNTING: 9.00"

### STANDARD LEAD LENGTHS\*

BLACK: 25.00"
WHITE: 25.00"
BLUE: 31.00"
RED: 48.00"

\*Consult Keystone for special lead length requirements.

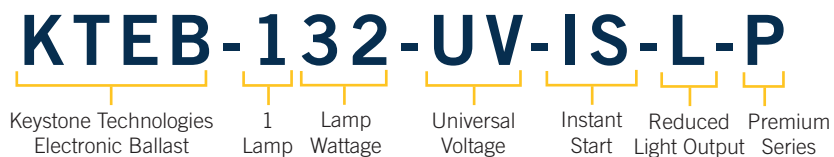
## HOT SPOT LOCATION



## ORDERING INFORMATION

ORDER CODE	PACKAGING STYLE	PACK QTY.	ITEM STATUS
KTEB-132-UV-IS-L-P-CP	CARTON PACK	50	SPECIAL ORDER

## CATALOG NUMBER BREAKDOWN



KEYSTONE TECHNOLOGIES, LLC TOLL FREE (800) 464-2680 FAX (215) 628-4412  
P.O. Box 246, Ambler, PA 19002 [www.KeystoneBallast.com](http://www.KeystoneBallast.com)

Specifications subject to change.

Revised 11-19-2010  
specsheel\_v1