



KTEB-132-UV-PS-N-P	
Ballast Type	Electronic
Starting Method	Program start
Lamp Connection	Parallel
Input Voltage	120 ~ 277Vac ± 10%
Input Frequency	60Hz / 50Hz

ELECTRICAL SPECIFICATIONS:

Lamp Type	No. of Lamp	Volts	Input Watts	Input Current (Amps)	Power Factor	Crest Factor	Ballast Factor	Ballast Efficacy Factor	Max. THD %
F32T8 32W	1	120	31	0.27	0.99	< 1.7	0.88	2.84	< 10
		277	31	0.12	0.98	< 1.7	0.88	2.84	< 10
F32T8 30W	1	120	30	0.25	0.99	< 1.7	0.88	2.93	< 10
		277	30	0.12	0.97	< 1.7	0.88	2.93	< 10
F32T8 28W	1	120	29	0.24	0.99	< 1.7	0.88	3.03	< 10
		277	29	0.11	0.97	< 1.7	0.89	3.03	< 10
F32T8 25W	1	120	26	0.23	0.98	< 1.7	0.88	3.38	< 10
		277	27	0.10	0.96	< 1.7	0.88	3.26	< 10
F25T8 25W	1	120	26	0.22	0.98	< 1.7	0.88	3.38	< 10
		277	27	0.10	0.96	< 1.7	0.88	3.26	< 10
F17T8 17W	1	120	20	0.17	0.98	< 1.7	0.88	4.40	< 10
		277	20	0.08	0.95	< 1.7	0.88	4.40	< 10

PERFORMANCE:

- Sound Rated: A
- Minimum Starting Temperature: 0°F, -18°C
- Maximum Case Temperature: 167°F, 75°C
- Meets FCC Part 18 (Class A) Non-Consumer Limits
- Transient Protection meets ANSI/IEEE C62.41 Cat. A
- Ballast frequency for all listed lamps: > 40kHz
- 5-Year Warranty

APPROVALS:

- UL, cUL 935 Listed, Class P, Type 1 Outdoor

PHYSICAL DIMENSIONS:

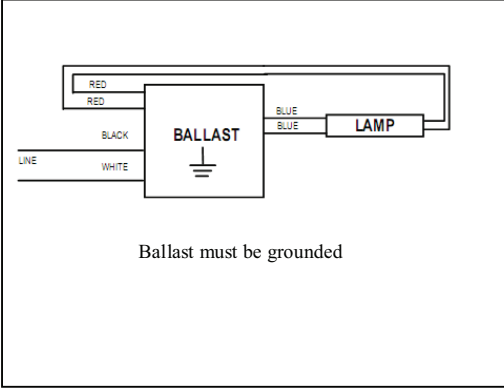
Length (L):	9.50"	
Width (W):	1.38"	
Height (H):	1.18"	
Mounting(M):	8.9"	
Lead Length:		
White, Black	25"	
Blue	32"X32"	
Red	49"X49"	

1.877.652.9640
248.652.9640

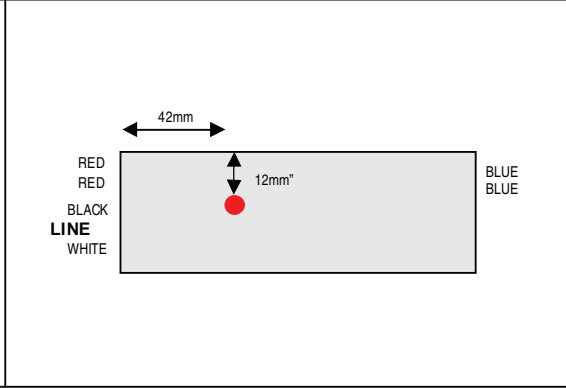
Commercial and Residential
Monday-Friday 8am - 5pm EST

Green Electrical Supply
www.GreenElectricalSupply.com
2355 Arizona Court, Rochester Hills, MI 48309

WIRING DIAGRAM:



Hot Spot Location:



1.877.652.9640
248.652.9640

Commercial and Residential
Monday-Friday 8am - 5pm EST



Green Electrical Supply
www.GreenElectricalSupply.com
2355 Arizona Court, Rochester Hills, MI 48309