



KTEB-1C22-1-TP-WS	
Ballast Type	Electronic
Starting Method	Rapid Start
Lamp Connection	-
Input Voltage	120Vac ± 10%
Input Frequency	60Hz

ELECTRICAL SPECIFICATIONS:

Lamp Type	No. of Lamp	Input Watts	Input Current (Amps)	Power Factor	Crest Factor	Ballast Factor	Ballast Efficacy Factor	Max. THD %
CFQ/18W/G24q2	1	20	0.31	0.53	1.49	1.0	5.00	150
CFS/21W/GR10q	1	18	0.29	0.52	1.50	0.85	4.72	150
FC8T9 22W	1	17	0.28	0.52	1.65	0.90	5.29	150

PERFORMANCE:

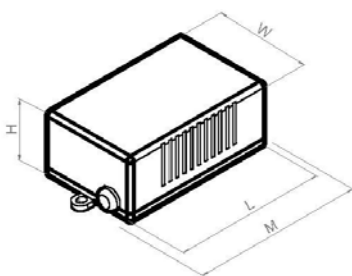
- Sound Rated: A
- Minimum Starting Temperature: 0°F, -18°C
- Maximum Case Temperature: 167°F, 75°C
- Meets FCC Part 18 (Class B) Consumer Limits
- Transient Protection meets ANSI/IEEE C62.41 Cat. A
- Ballast frequency for all listed lamps: 20KHz-33KHz, 40KHz-50KHz
- Lamp end-of-life protected

APPROVALS:

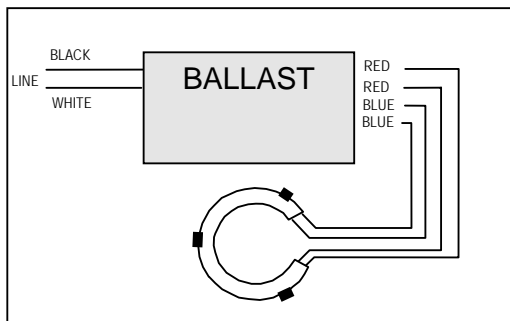
- UL, cUL 935 listed

PHYSICAL DIMENSIONS:

Length (L):	3.45"
Width (W):	1.81"
Height (H):	1.21"
Mounting(M):	3.12"
Lead Length:	
White, Black	12"
Blue	9"
Red	9"
With circline socket.	



WIRING DIAGRAM:



Hot Spot Location:

