



<b>KTEB-1C3032-1-TP-WS</b>	
Ballast Type	Electronic
Starting Method	Rapid Start
Lamp Connection	
Input Voltage	120Vac ± 10%
Input Frequency	60Hz

**ELECTRICAL SPECIFICATIONS:**

Lamp Type	No. of Lamp	Input Watts	Input Current (Amps)	Power Factor	Crest Factor	Ballast Factor	Ballast Efficacy Factor	Max. THD %
F12T9 32W	1	34	0.53	0.53	1.68	1.0	2.94	150
FCL30 30W	1	27	0.45	0.51	1.64	0.95	3.52	150

**PERFORMANCE:**

- Sound Rated: A
- Minimum Starting Temperature: 0°F, -18°C
- Maximum Case Temperature: 167°F, 75°C
- Meets FCC Part 18 (Class B) Consumer Limits
- Transient Protection meets ANSI/IEEE C62.41 Cat. A
- Lamp end-of-life protected
- 3-Year Warranty

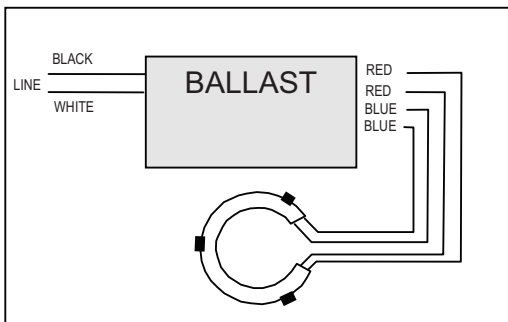
**APPROVALS:**

- UL, cUL 935 listed

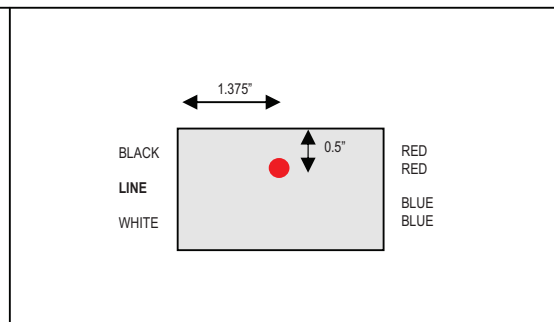
**PHYSICAL DIMENSIONS:**

Length (L):	3.45"
Width (W):	1.81"
Height (H):	1.21"
Mounting (M):	3.12"
Lead Length:	
White, Black	12"
Blue	9"
Red	9"

**WIRING DIAGRAM:**



**Hot Spot Location:**



1.877.652.9640  
248.652.9640

Commercial and Residential  
Monday-Friday 8am - 5pm EST

**Green Electrical Supply**  
www.GreenElectricalSupply.com  
2355 Arizona Court, Rochester Hills, MI 48309