



KTEB-2110-1-TP-PIC	
Ballast Type	Electronic
Starting Method	Rapid Start
Lamp Connection	Series
Input Voltage	120Vac ± 10%
Input Frequency	50/60Hz

ELECTRICAL SPECIFICATIONS:

Lamp Type	No. of Lamp	Input Watts	Input Current (Amps)	Power Factor	Crest Factor	Ballast Factor	Ballast Efficacy Factor	Max. THD %
F96T12/HO 110W	2	196	1.65	0.99	1.70	0.90	0.46	10
	1	104	0.88	0.99	1.70	0.92	0.88	10
F96T12/HO/ES 95W	2	164	1.38	0.99	1.70	0.90	0.55	10
F72T12/HO 85W	2	154	1.30	0.99	1.70	0.90	0.58	10
F60T12/HO 75W	2	132	1.10	0.99	1.70	0.90	0.68	10
F48T12/HO 60W	2	104	0.88	0.99	1.70	0.90	0.87	10

PERFORMANCE:

- Sound Rated: A
- Min. Starting Temperature: -20°F, -30°C for HO lamp
- Min. Starting Temperature: 60°F, 18°C for HO/ES lamp
- Maximum Case Temperature: 167°F, 75°C
- Meets FCC Part 18 (Class A) Non Consumer Limits
- Transient Protection meets ANSI/IEEE C62.41 Cat. A
- Ballast frequency for all listed lamps: 20KHz-33KHz
- 3-Year Warranty

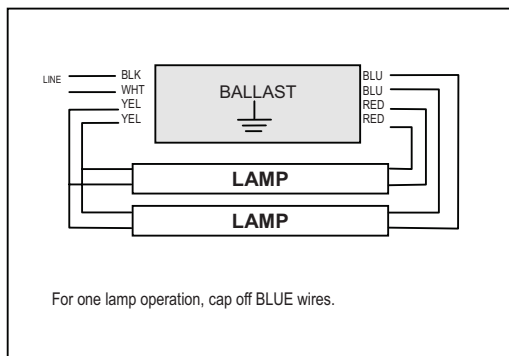
APPROVALS:

- UL, cUL 935 Listed

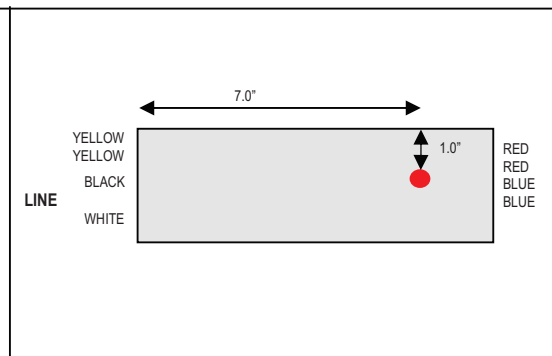
PHYSICAL DIMENSIONS:

Length (L):	11.8"	
Width (W):	2.15"	
Height (H):	1.61"	
Mounting (M):	11.0"	

WIRING DIAGRAM:



HOT SPOT LOCATION:



1.877.652.9640
248.652.9640

Commercial and Residential
Monday-Friday 8am - 5pm EST

www.GreenElectricalSupply.com
2355 Arizona Court, Rochester Hills, MI 48309