



KTEB-213-1-TP-SL	
Ballast Type	Electronic
Starting Method	Rapid Start
Lamp Connection	Parallel
Input Voltage	120Vac ± 10%
Input Frequency	60Hz / 50Hz

ELECTRICAL SPECIFICATIONS:

Lamp Type	No. of Lamp	Input Watts	Input Current (Amps)	Power Factor	Crest Factor	Ballast Factor	Ballast Efficacy Factor	Max. THD %
F13T5	2	23	0.37	0.52	1.60	0.95	4.06	150
F13T5 + F8T5	2	19	0.31	0.51	1.53	0.90	4.74	150
CFQ13W/G24q	2	22	0.36	0.51	1.52	0.95	4.31	150

PERFORMANCE:

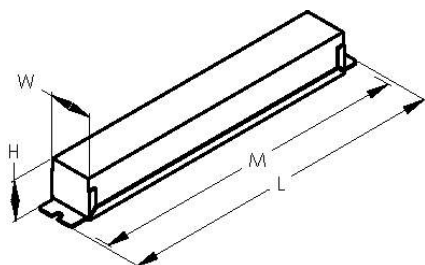
- Sound Rated: A
- Minimum Starting Temperature: 0°F, -18°C
- Maximum Case Temperature: 167°F, 75°C
- Meets FCC Part 18 (Class B) Consumer Limits
- Transient Protection meets ANSI/IEEE C62.41 Cat. A
- Ballast frequency for all listed lamps: 45KHz-55KHz,
- Lamp end-of-life protected

APPROVALS:

- UL, cUL 935 listed

PHYSICAL DIMENSIONS:

Length (L):	9.00"
Width (W):	0.95"
Height (H):	0.95"
Mounting(M):	8.75"
Lead Length:	
White, Black	18"
Blue	24"
Red	24"



WIRING DIAGRAM:

