



## PRODUCT FEATURES

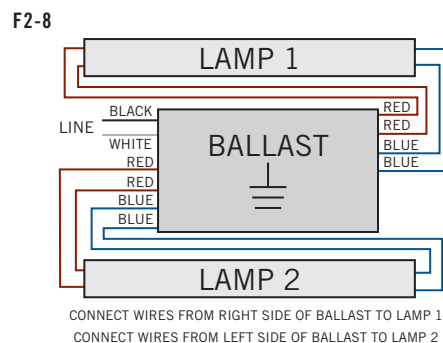
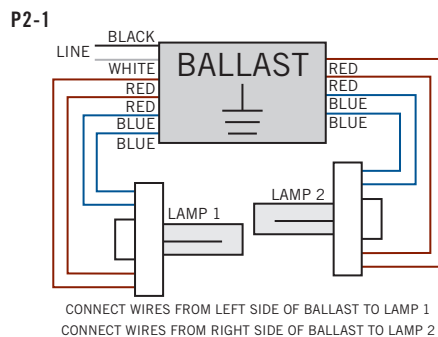
<b>STARTING METHOD:</b> Rapid	<b>INPUT VOLTAGE:</b> 120VAC ±10%	<b>WARRANTY:</b> 3 Years
<b>LAMP CONNECTION:</b> Parallel	<b>INPUT FREQUENCY:</b> 50/60 Hz	<b>POWER FACTOR:</b> Normal

- Sound Rated: A
- Minimum Starting Temperature: 0°F, -18°C
- Maximum Case Temperature: 167°F, 75°C
- Meets FCC Part 18 (Class B) Consumer Limits
- Transient Protection Meets ANSI/IEEE62.41 Cat. A
- Ballast frequency for all listed lamps: 45KHz-55KHz
- Lamp end-of-life protected

## ELECTRICAL SPECIFICATIONS

LAMP TYPE	NO. OF LAMPS	INPUT VOLTS	INPUT WATTS	INPUT CURRENT (AMPS)	POWER FACTOR	CREST FACTOR	BALLAST FACTOR	BALLAST EFFICACY FACTOR	MAX THD%	WIRING DIAGRAM
F13T5	2	120	23.0	0.37	0.52	1.60	0.95	4.06	150	F2-8
F13T5 + F8T5	2	120	19.0	0.31	0.51	1.53	0.90	4.74	150	F2-8
CFQ13W/G24q	2	120	22.0	0.36	0.51	1.52	0.95	4.31	150	P2-1

## WIRING DIAGRAMS

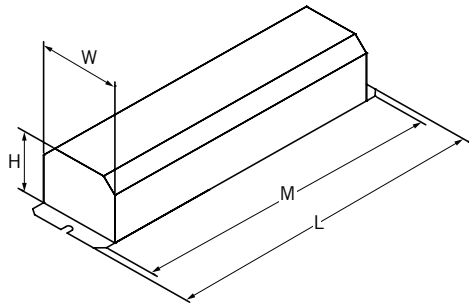




# KTEB-213-1-TP

CFL ELECTRONIC FLUORESCENT

## CASE STYLE/DIMENSIONS



### CASE DIMENSIONS

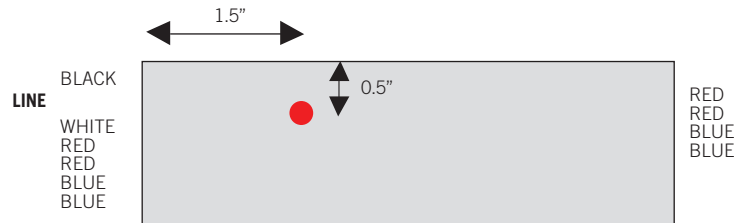
LENGTH: 6.46"
WIDTH: 1.86"
HEIGHT: 0.94"
MOUNTING: 6.00"
UNIT WEIGHT: 1.00 lbs

### STANDARD LEAD LENGTHS\*

BLACK: 12.00"
WHITE: 12.00"
BLUE: 6.00" X 6.00" X 6.00" X 6.00"
RED: 6.00" X 6.00" X 6.00" X 6.00"

\*Consult Keystone for special lead length requirements.

## HOT SPOT LOCATION



## ORDERING INFORMATION

ORDER CODE	PACKAGING STYLE	PACK QTY.	ITEM STATUS
KTEB-213-1-TP		1	Special Order

## CATALOG NUMBER BREAKDOWN

# KTEB-213-1-TP

Keystone Technologies  
Electronic Ballast
2  
Lamps
13  
Watts
120V  
Input
Thermally  
Protected

Green Electrical Supply

GreenElectricalSupply.com

Our Customer Service Department is here to assist you at 877-652-9640