



<b>KTEB-218-1-TP</b>	
Ballast Type	Electronic
Starting Method	Rapid Start
Lamp Connection	Parallel
Input Voltage	120Vac ± 10%
Input Frequency	60Hz

**ELECTRICAL SPECIFICATIONS:**

Lamp Type	No. of Lamp	Input Watts	Input Current (Amps)	Power Factor	Crest Factor	Ballast Factor	Ballast Efficacy Factor	Max. THD %
CFQ18W/G24q	2	38.0	0.59	0.54	1.57	0.95	2.50	150

**PERFORMANCE:**

- Sound Rated: A
- Minimum Starting Temperature: 0°F, -18°C
- Maximum Case Temperature: 167°F, 75°C
- Meets FCC Part 18 (Class B) Consumer Limits
- Transient Protection meets ANSI/IEEE C62.41 Cat. A
- Ballast frequency for all listed lamps: 20KHz-30KHz,
- Lamp end-of-life protected

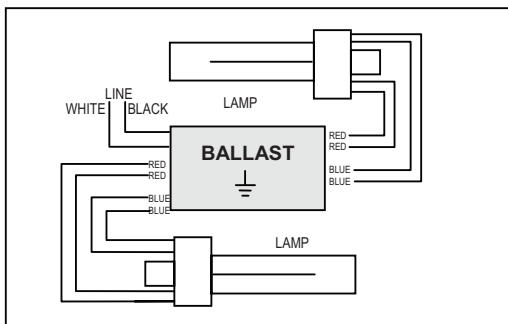
**APPROVALS:**

- UL, cUL 935 listed

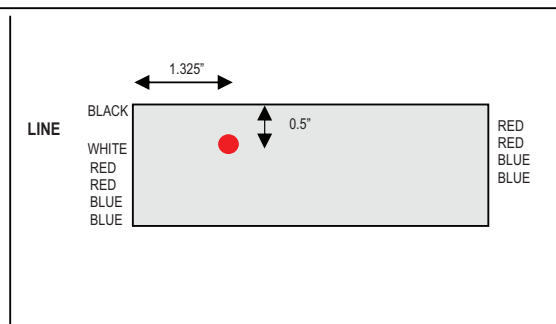
**PHYSICAL DIMENSIONS:**

Length (L):	6.61"
Width (W):	1.89"
Height (H):	0.98"
Mounting(M):	6.00"
Lead Length:	
White, Black	12"
Blue	9"
Red	9"

**WIRING DIAGRAM:**



**HOT SPOT LOCATION:**



1.877.652.9640  
248.652.9640

Commercial and Residential  
Monday-Friday 8am - 5pm EST

**Green Electrical Supply**  
www.GreenElectricalSupply.com  
2355 Arizona Court, Rochester Hills, MI 48309