



<b>KTEB-259-UV-TP-PIC</b>	
Ballast Type	Electronic
Starting Method	Instant Start
Lamp Connection	Parallel
Input Voltage	120-277Vac ± 10%
Input Frequency	60Hz / 50Hz

**ELECTRICAL SPECIFICATIONS:**

Lamp Type	No. of Lamp	Volts	Input Watts	Input Current (Amps)	Power Factor	Crest Factor	Ballast Factor	Ballast Efficacy Factor	Max. THD %
F96T8 59W	2	120	112	0.94	0.99	1.56	0.88	0.79	10
		277	112	0.41	0.99	1.55	0.88	0.79	10
F96T8 59W	1	120	70	0.58	0.99	1.44	1.05	1.50	10
		277	70	0.26	0.99	1.45	1.05	1.50	10
F72T8 38W	2	120	80	0.67	0.99	1.53	0.88	1.10	10
		277	80	0.29	0.99	1.51	0.88	1.10	10
F72T8 38W	1	120	51	0.43	0.99	1.46	1.05	2.06	12
		277	52	0.19	0.97	1.45	1.05	2.02	12

**PERFORMANCE:**

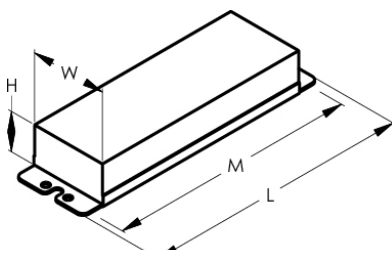
- Sound Rated: A
- Minimum Starting Temperature: 0°F, -18°C
- Maximum Case Temperature: 167°F, 75°C
- Transient Protection meets ANSI/IEEE C62.41 Cat. A
- 

**APPROVALS:**

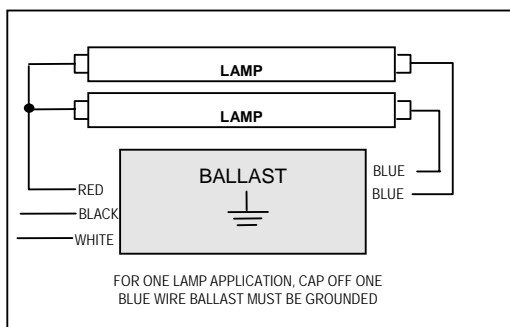
- UL, cUL 935 listed

**PHYSICAL DIMENSIONS:**

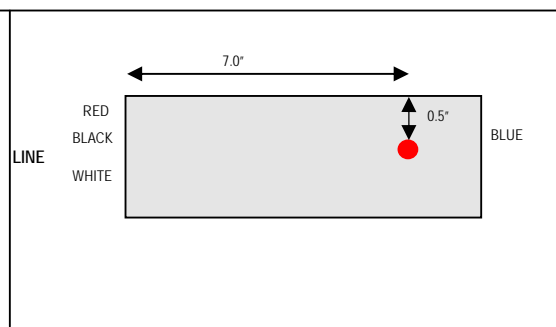
Length (L):	9.45"
Width (W):	1.80"
Height (H):	1.37"
Mounting(M):	8.90"
Lead Length:	
White, Black	22"
Blue	46"
Red	70"



**WIRING DIAGRAM:**



**HOT SPOT LOCATION:**



**KEYSTONE TECHNOLOGIES LLC.**  
P.O. Box 246, AMBLER, PENNSYLVANIA 19002  
PHONE: 215-283-2600  
FAX: 215-628-4412  
INFO@KEYSTONEBALLAST.COM  
WWW.KEYSTONEBALLAST.COM