



KTEB-332-UV-IS-N-P	
Ballast Type	Electronic
Starting Method	Instant Start
Lamp Connection	Parallel
Input Voltage	120 ~ 277Vac ± 10%
Input Frequency	60Hz / 50Hz

ELECTRICAL SPECIFICATIONS:



Lamp Type	No. of Lamp	Volts	Input Watts	Input Current (Amps)	Power Factor	Crest Factor	Ballast Factor	Ballast Efficacy Factor	Max. THD %
F32T8 32W	3	120	83	0.69	0.99	< 1.7	0.87	1.05	10
		277	81	0.29	0.98	< 1.7	0.88	1.09	10
	2	120	64	0.53	0.99	< 1.7	0.99	1.55	10
		277	63	0.23	0.97	< 1.7	0.99	1.57	12
F32T8 30W	3	120	79	0.66	0.99	< 1.7	0.87	1.10	10
		277	79	0.29	0.98	< 1.7	0.87	1.10	10
	2	120	60	0.50	0.99	< 1.7	0.98	1.63	10
		277	60	0.22	0.97	< 1.7	0.98	1.63	12
F32T8 28W	3	120	76	0.63	0.99	< 1.7	0.89	1.17	10
		277	77	0.28	0.97	< 1.7	0.88	1.14	12
	2	120	57	0.48	0.99	< 1.7	0.99	1.74	10
		277	58	0.21	0.96	< 1.7	1.00	1.72	12
F32T8 25W	3	120	71	0.59	0.99	< 1.7	0.94	1.32	10
		277	72	0.26	0.97	< 1.7	0.95	1.32	12
	2	120	54	0.45	0.99	< 1.7	1.01	1.87	10
		277	56	0.20	0.96	< 1.7	1.02	1.82	12
F25T8 25W	3	120	72	0.60	0.99	< 1.7	0.91	1.26	10
		277	72	0.26	0.99	< 1.7	0.92	1.28	10
	2	120	54	0.45	0.99	< 1.7	1.01	1.87	10
		277	55	0.20	0.96	< 1.7	1.02	1.85	12
F17T8 17W	3	120	47	0.39	0.99	< 1.7	0.86	1.83	10
		277	48	0.17	0.95	< 1.7	0.88	1.83	15
	2	120	37	0.31	0.99	< 1.7	1.01	2.73	10
		277	38	0.14	0.93	< 1.7	1.03	2.71	15
F40T8 40W	2	120	78	0.65	0.99	< 1.7	0.92	0.92	10
		277	77	0.28	0.98	< 1.7	0.88	0.88	10

PERFORMANCE:

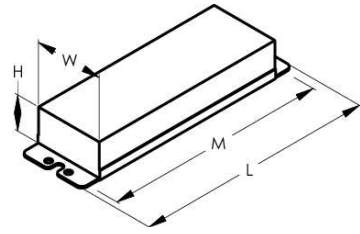
- Sound Rated: A
- Minimum Starting Temperature: 0°F, -18°C
- Maximum Case Temperature: 167°F, 75°C
- Meets FCC Part 18 (Class A) Non-consumer limits
- Transient Protection meets ANSI/IEEE C62.41 Cat. A
- Ballast frequency for all listed lamps: > 40kHz
- 5-Year Warranty

APPROVALS:

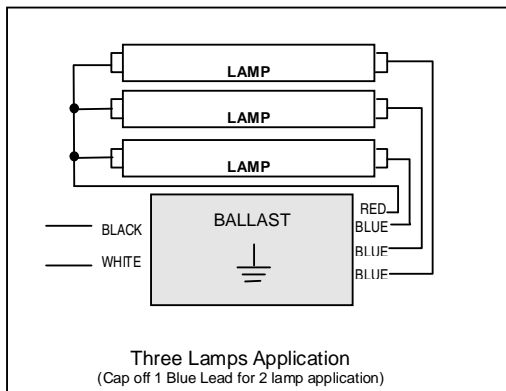
- UL, cUL 935 Listed, Class P, Type 1 Outdoor

Keystone Technologies LLC.
P.O. Box 246, Ambler, Pennsylvania 19002
Phone: 215-283-2600
Fax: 215-628-4412
Info@KeystoneBallast.com
www.KeystoneBallast.com

PHYSICAL DIMENSIONS:

Length (L):	9.50"	
Width (W):	1.38"	
Height (H):	1.18"	
Mounting(M):	8.9"	
Lead Length:		
White, Black	25"	
Blue	31x31x31"	
Red	48"	

WIRING DIAGRAM:



Hot Spot Location:

