



| <b>KTEB-332-UV-IS-N-P</b> |                    |
|---------------------------|--------------------|
| Ballast Type              | Electronic         |
| Starting Method           | Instant Start      |
| Lamp Connection           | Parallel           |
| Input Voltage             | 120 ~ 277Vac ± 10% |
| Input Frequency           | 60Hz / 50Hz        |

**ELECTRICAL SPECIFICATIONS:**



| Lamp Type | No. of Lamp | Volts | Input Watts | Input Current (Amps) | Power Factor | Crest Factor | Ballast Factor | Ballast Efficacy Factor | Max. THD % |
|-----------|-------------|-------|-------------|----------------------|--------------|--------------|----------------|-------------------------|------------|
| F32T8 32W | 3           | 120   | 83          | 0.69                 | 0.99         | < 1.7        | 0.87           | 1.05                    | 10         |
|           |             | 277   | 81          | 0.29                 | 0.98         | < 1.7        | 0.88           | 1.09                    | 10         |
|           | 2           | 120   | 64          | 0.53                 | 0.99         | < 1.7        | 0.99           | 1.55                    | 10         |
|           |             | 277   | 63          | 0.23                 | 0.97         | < 1.7        | 0.99           | 1.57                    | 12         |
| F32T8 30W | 3           | 120   | 79          | 0.66                 | 0.99         | < 1.7        | 0.87           | 1.10                    | 10         |
|           |             | 277   | 79          | 0.29                 | 0.98         | < 1.7        | 0.87           | 1.10                    | 10         |
|           | 2           | 120   | 60          | 0.50                 | 0.99         | < 1.7        | 0.98           | 1.63                    | 10         |
|           |             | 277   | 60          | 0.22                 | 0.97         | < 1.7        | 0.98           | 1.63                    | 12         |
| F32T8 28W | 3           | 120   | 76          | 0.63                 | 0.99         | < 1.7        | 0.89           | 1.17                    | 10         |
|           |             | 277   | 77          | 0.28                 | 0.97         | < 1.7        | 0.88           | 1.14                    | 12         |
|           | 2           | 120   | 57          | 0.48                 | 0.99         | < 1.7        | 0.99           | 1.74                    | 10         |
|           |             | 277   | 58          | 0.21                 | 0.96         | < 1.7        | 1.00           | 1.72                    | 12         |
| F32T8 25W | 3           | 120   | 71          | 0.59                 | 0.99         | < 1.7        | 0.94           | 1.32                    | 10         |
|           |             | 277   | 72          | 0.26                 | 0.97         | < 1.7        | 0.95           | 1.32                    | 12         |
|           | 2           | 120   | 54          | 0.45                 | 0.99         | < 1.7        | 1.01           | 1.87                    | 10         |
|           |             | 277   | 56          | 0.20                 | 0.96         | < 1.7        | 1.02           | 1.82                    | 12         |
| F25T8 25W | 3           | 120   | 72          | 0.60                 | 0.99         | < 1.7        | 0.91           | 1.26                    | 10         |
|           |             | 277   | 72          | 0.26                 | 0.99         | < 1.7        | 0.92           | 1.28                    | 10         |
|           | 2           | 120   | 54          | 0.45                 | 0.99         | < 1.7        | 1.01           | 1.87                    | 10         |
|           |             | 277   | 55          | 0.20                 | 0.96         | < 1.7        | 1.02           | 1.85                    | 12         |
| F17T8 17W | 3           | 120   | 47          | 0.39                 | 0.99         | < 1.7        | 0.86           | 1.83                    | 10         |
|           |             | 277   | 48          | 0.17                 | 0.95         | < 1.7        | 0.88           | 1.83                    | 15         |
|           | 2           | 120   | 37          | 0.31                 | 0.99         | < 1.7        | 1.01           | 2.73                    | 10         |
|           |             | 277   | 38          | 0.14                 | 0.93         | < 1.7        | 1.03           | 2.71                    | 15         |
| F40T8 40W | 2           | 120   | 78          | 0.65                 | 0.99         | < 1.7        | 0.92           | 0.92                    | 10         |
|           |             | 277   | 77          | 0.28                 | 0.98         | < 1.7        | 0.88           | 0.88                    | 10         |

**PERFORMANCE:**

- Sound Rated: A
- Minimum Starting Temperature: 0°F, -18°C
- Maximum Case Temperature: 167°F, 75°C
- Meets FCC Part 18 (Class A) Non-consumer limits
- Transient Protection meets ANSI/IEEE C62.41 Cat. A
- Ballast frequency for all listed lamps: > 40kHz
- 5-Year Warranty

**APPROVALS:**

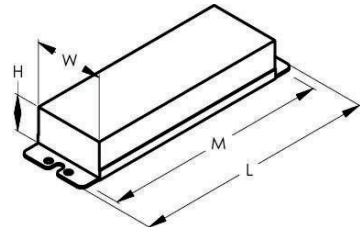
- UL, cUL 935 Listed, Class P, Type 1 Outdoor

1.877.652.9640  
248.652.9640

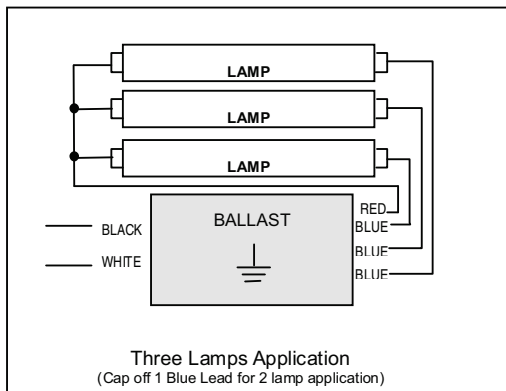
Commercial and Residential  
Monday-Friday 8am - 5pm EST

**Green Electrical Supply**  
www.GreenElectricalSupply.com  
2355 Arizona Court, Rochester Hills, MI 48309

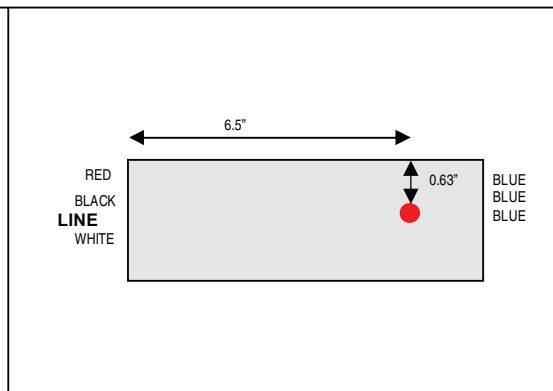
**PHYSICAL DIMENSIONS:**

|              |           |  |
|--------------|-----------|--|
| Length (L):  | 9.50"     |  |
| Width (W):   | 1.38"     |  |
| Height (H):  | 1.18"     |  |
| Mounting(M): | 8.9"      |  |
| Lead Length: |           |  |
| White, Black | 25"       |  |
| Blue         | 31x31x31" |  |
| Red          | 48"       |  |

**WIRING DIAGRAM:**



**Hot Spot Location:**



1.877.652.9640  
248.652.9640

Commercial and Residential  
Monday-Friday 8am - 5pm EST



**Green Electrical Supply**  
www.GreenElectricalSupply.com  
2355 Arizona Court, Rochester Hills, MI 48309