



KTEB-332-UV-PS-N-P	
Ballast Type	Electronic
Starting Method	Program start
Lamp Connection	Parallel
Input Voltage	120 ~ 277Vac ± 10%
Input Frequency	60Hz / 50Hz

ELECTRICAL SPECIFICATIONS:

Lamp Type	No. of Lamp	Volts	Input Watts	Input Current (Amps)	Power Factor	Crest Factor	Ballast Factor	Ballast Efficacy Factor	Max. THD %
F32T8 32W	3	120	88	0.73	0.99	< 1.7	0.88	1.00	10
		277	88	0.32	0.98	< 1.7	0.88	1.00	10
	2	120	68	0.57	0.99	< 1.7	0.98	1.44	10
		277	69	0.25	0.98	< 1.7	0.98	1.42	10
F32T8 30W	3	120	81	0.68	0.99	< 1.7	0.88	1.09	10
		277	82	0.30	0.98	< 1.7	0.88	1.07	10
	2	120	62	0.52	0.99	< 1.7	0.95	1.53	10
		277	63	0.23	0.97	< 1.7	0.95	1.51	10
F32T8 28W	3	120	78	0.65	0.99	< 1.7	0.88	1.13	10
		277	79	0.29	0.98	< 1.7	0.88	1.11	10
	2	120	61	0.52	0.99	< 1.7	1.00	1.64	10
		277	61	0.23	0.97	< 1.7	1.00	1.64	10
F32T8 25W	3	120	72	0.60	0.99	< 1.7	0.90	1.25	10
		277	73	0.27	0.98	< 1.7	0.90	1.23	10
	2	120	55	0.46	0.99	< 1.7	0.97	1.77	10
		277	56	0.21	0.98	< 1.7	0.98	1.75	10
F25T8 25W	3	120	68	0.58	0.99	< 1.7	0.88	1.29	10
		277	69	0.26	0.98	< 1.7	0.88	1.28	10
	2	120	53	0.44	0.98	< 1.7	0.95	1.79	10
		277	54	0.20	0.97	< 1.7	0.95	1.76	10
F17T8 17W	3	120	50	0.42	0.98	< 1.7	0.90	1.80	10
		277	51	0.19	0.97	< 1.7	0.90	1.77	10
	2	120	40	0.33	0.98	< 1.7	0.98	2.45	10
		277	41	0.15	0.95	< 1.7	0.98	2.39	10
F40T8 40W	2	120	80	0.67	0.99	< 1.7	0.95	1.19	10
		277	81	0.30	0.98	< 1.7	0.95	1.17	10

PERFORMANCE:

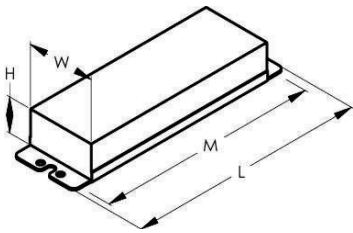
- Sound Rated: A
- Minimum Starting Temperature: 0°F, -18°C
- Maximum Case Temperature: 167°F, 75°C
- Meets FCC Part 18 (Class A) Non-Consumer Limits
- Transient Protection meets ANSI/IEEE C62.41 Cat. A
- Ballast frequency for all listed lamps: > 40kHz
- 5-Year Warranty

APPROVALS:

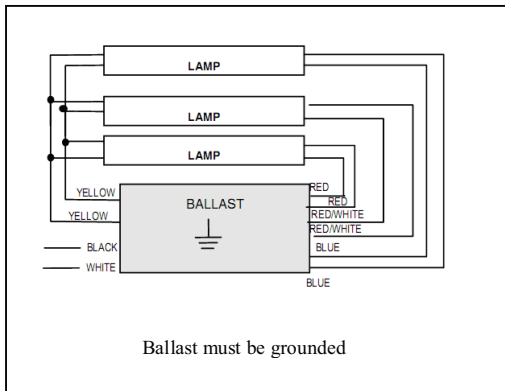
- UL, cUL 935 Listed, Class P, Type 1 Outdoor



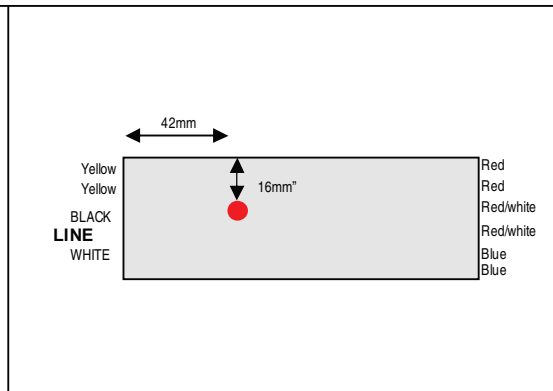
PHYSICAL DIMENSIONS:

Length (L):	9.50"	
Width (W):	1.65"	
Height (H):	1.18"	
Mounting(M):	8.9"	
Lead Length:		
White, Black	25"	
Blue	32"x32"	
Red	32"x32"	
Yellow	48"x48"	
Red/White	32"x32"	

WIRING DIAGRAM:



Hot Spot Location:



1.877.652.9640
248.652.9640

Commercial and Residential
Monday-Friday 8am - 5pm EST



Green Electrical Supply
www.GreenElectricalSupply.com
2355 Arizona Court, Rochester Hills, MI 48309