



KTEB-332EBF-UV-TP-PIC	
Ballast Type	Electronic
Starting Method	Instant Start
Lamp Connection	Parallel
Input Voltage	120 ~ 277Vac ± 10%
Input Frequency	60Hz / 50Hz

ELECTRICAL SPECIFICATIONS:

Lamp Type	No. of Lamp	Volts	Input Watts	Input Current (Amps)	Power Factor	Crest Factor	Ballast Factor	Ballast Efficacy Factor	Max. THD %	
F32T8	3	120	74	0.62	0.99	1.6	0.77	1.04	10	
		277	74	0.27	0.99	1.6	0.77	1.04	10	
	2	120	57	0.48	0.99	1.6	0.86	1.51	10	
		277	57	0.21	0.98	1.6	0.86	1.51	10	
F25T8	3	120	57	0.48	0.99	1.6	0.80	1.40	10	
		277	57	0.21	0.98	1.6	0.80	1.40	10	
		120	45	0.38	0.99	1.6	0.87	1.93	10	
	2	277	45	0.17	0.96	1.6	0.87	1.93	10	
		3	120	42	0.35	0.99	1.6	0.81	1.93	10
			277	42	0.16	0.96	1.6	0.81	1.93	10
F17T8	2	120	34	0.29	0.99	1.6	0.88	2.59	12	
		277	34	0.13	0.94	1.6	0.88	2.59	12	

PERFORMANCE:

- Sound Rated: A
- Minimum Starting Temperature: 0°F, -18°C
- Maximum Case Temperature: 167°F, 75°C
- Meets FCC Part 18 (Class A) Non Consumer Limits
- Transient Protection meets ANSI/IEEE C62.41 Cat. A
- Ballast frequency for all listed lamps: 20KHz-33KHz
- 5-Year Warranty

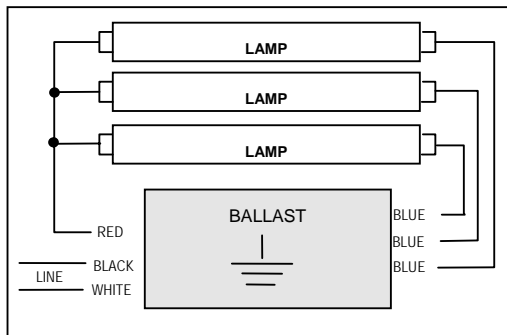
APPROVALS:

- UL, cUL 935 Pending

PHYSICAL DIMENSIONS:

Length (L):	9.50"	
Width (W):	1.38"	
Height (H):	1.18"	
Mounting (M):	8.90"	
Lead Length:		
White, Black	25"	
Blue	31"	
Red	48"	

WIRING DIAGRAM:



Hot Spot Location:

