



KTEB-432-UV-IS-N-P	
Ballast Type	Electronic
Starting Method	Instant Start
Lamp Connection	Parallel
Input Voltage	120 ~ 277Vac ± 10%
Input Frequency	60Hz / 50Hz



ELECTRICAL SPECIFICATIONS:

Lamp Type	No. of Lamp	Volts	Input Watts	Input Current (Amps)	Power Factor	Crest Factor	Ballast Factor	Ballast Efficacy Factor	Max. THD %
F32T8 32W	4	120	110	0.92	0.99	< 1.7	0.88	0.80	10
		277	106	0.38	0.99	< 1.7	0.87	0.82	10
	3	120	89	0.74	0.99	< 1.7	0.94	1.06	10
		277	88	0.32	0.98	< 1.7	0.95	1.08	10
F32T8 30W	4	120	105	0.88	0.99	< 1.7	0.86	0.82	10
		277	106	0.38	0.98	< 1.7	0.87	0.82	10
	3	120	85	0.71	0.99	< 1.7	0.93	1.09	10
		277	85	0.31	0.97	< 1.7	0.93	1.09	12
F32T8 28W	4	120	100	0.83	0.99	< 1.7	0.88	0.88	10
		277	100	0.36	0.98	< 1.7	0.87	0.87	10
	3	120	83	0.69	0.99	< 1.7	0.98	1.18	10
		277	84	0.30	0.97	< 1.7	0.99	1.18	12
F32T8 25W	4	120	94	0.78	0.99	< 1.7	0.94	1.00	10
		277	94	0.34	0.98	< 1.7	0.93	0.99	10
	3	120	77	0.64	0.99	< 1.7	1.01	1.31	10
		277	77	0.28	0.97	< 1.7	1.01	1.31	12
F25T8 25W	4	120	83	0.69	0.99	< 1.7	0.82	0.99	10
		277	84	0.30	0.97	< 1.7	0.83	0.99	12
	3	120	69	0.58	0.99	< 1.7	0.91	1.32	10
		277	70	0.25	0.97	< 1.7	0.92	1.31	12
F17T8 17W	4	120	62	0.52	0.99	< 1.7	0.90	1.45	10
		277	62	0.22	0.96	< 1.7	0.90	1.45	12
	3	120	51	0.43	0.99	< 1.7	0.99	1.94	10
		277	51	0.18	0.95	< 1.7	0.99	1.94	15
F40T8 40W	3	120	109	0.91	0.99	< 1.7	0.90	0.83	10
		277	108	0.39	0.98	< 1.7	0.89	0.82	10

PERFORMANCE:

- Sound Rated: A
- Minimum Starting Temperature: 0°F, -18°C
- Maximum Case Temperature: 167°F, 75°C
- Meets FCC Part 18 (Class A) Non-consumer limits
- Transient Protection meets ANSI/IEEE C62.41 Cat. A
- Ballast frequency for all listed lamps: > 40kHz
- 5-Year Warranty

APPROVALS:

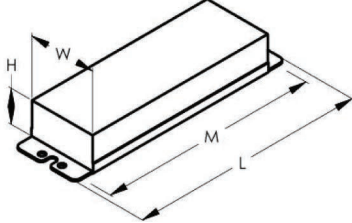
- UL, cUL 935 Listed, Class P, Type 1 Outdoor

1.877.652.9640
248.652.9640

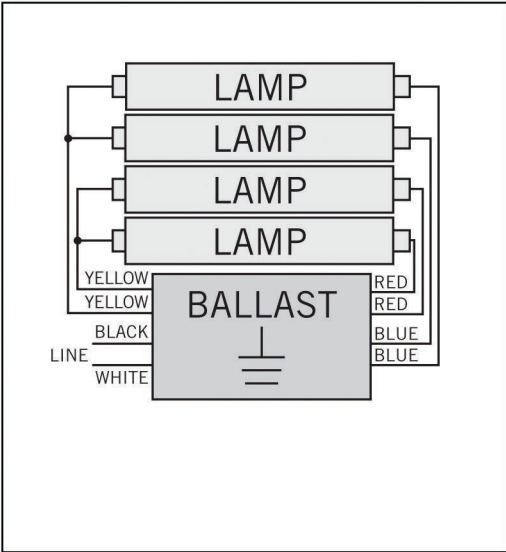
Commercial and Residential
Monday-Friday 8am - 5pm EST

Green Electrical Supply
www.GreenElectricalSupply.com
2355 Arizona Court, Rochester Hills, MI 48309

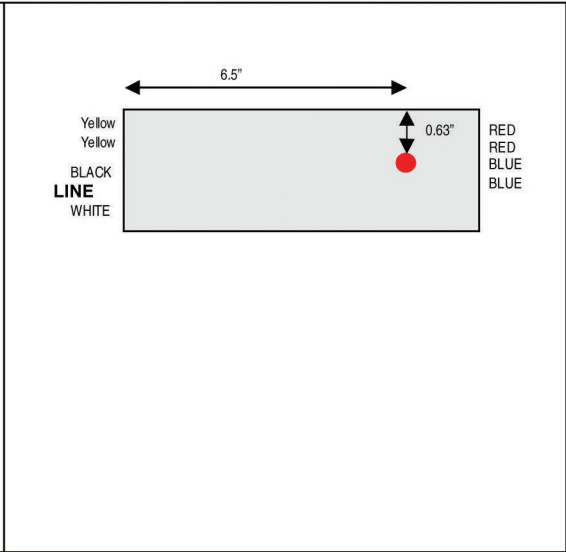
PHYSICAL DIMENSIONS:

Length (L):	9.50"	
Width (W):	1.38"	
Height (H):	1.18"	
Mounting(M):	8.9"	
Lead Length:		
White, Black	25"	
Blue	31x31"	
Red	31x31"	
Yellow	45x45"	
"		

WIRING DIAGRAM:



Hot Spot Location:



1.877.652.9640
 248.652.9640

Commercial and Residential
 Monday-Friday 8am - 5pm EST

Green Electrical Supply
 www.GreenElectricalSupply.com
 2355 Arizona Court, Rochester Hills, MI 48309