



<b>KTEB-432LBF-1-TP-PIC</b>	
Ballast Type	Electronic
Starting Method	Instant Start
Lamp Connection	Parallel
Input Voltage	120Vac ± 10%
Input Frequency	60Hz / 50Hz

**ELECTRICAL SPECIFICATIONS:**

Lamp Type	No. of Lamp	Volts	Input Watts	Input Current (Amps)	Power Factor	Crest Factor	Ballast Factor	Ballast Efficacy Factor	Max. THD %
F40T8	3	120	108	0.90	0.99	1.56	0.88	0.82	10
FT40W/2G11	3	120	98	0.82	0.99	1.58	0.80	0.82	10
F32T8	4	120	112	0.93	0.99	1.57	0.88	0.79	10
	3	120	90	0.75	0.99	1.52	0.90	1.0	10
F25T8	4	120	88	0.74	0.99	1.52	0.88	1.0	10
	3	120	70	0.59	0.99	1.52	0.90	1.29	10
F17T8	4	120	61	0.51	0.99	1.53	0.88	1.44	10
	3	120	51	0.42	0.99	1.50	0.90	1.76	10

**PERFORMANCE:**

- Sound Rated: A
- Minimum Starting Temperature: 0°F, -18°C
- Maximum Case Temperature: 176°F, 80°C
- Meets FCC Part 18 (Class A) Non Consumer Limits
- Transient Protection meets ANSI/IEEE C62.41 Cat. A
- Ballast frequency for all listed lamps: 20KHz-33KHz
- 5-Year Warranty
- OCV: 600V

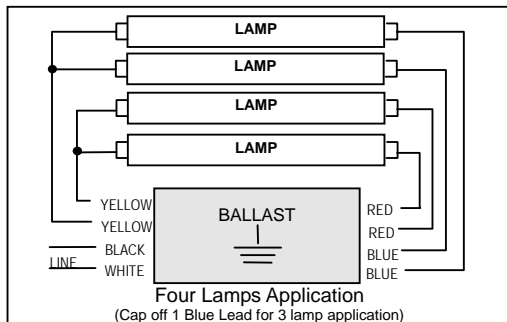
**APPROVALS:**

- UL, cUL 935 listed

**PHYSICAL DIMENSIONS:**

Length (L):	9.50"	
Width (W):	1.70"	
Height (H):	1.15"	
Mounting (M):	8.90"	
Lead Length:		
White, Black	25"	
Blue	31"X31"	
Red	31"X31"	
Yellow	35"X35"	

**WIRING DIAGRAM:**



**Hot Spot Location:**

