



KTEB-432RIS-1-TP	
Ballast Type	Electronic
Starting Method	Instant Start
Lamp Connection	Parallel
Input Voltage	120Vac ± 10%
Input Frequency	60Hz / 50Hz

ELECTRICAL SPECIFICATIONS:

Lamp Type	No. of Lamp	Input Watts	Input Current (Amps)	Power Factor	Crest Factor	Ballast Factor	Ballast Efficacy Factor	Max. THD %
F17T8	4	60	0.98	0.51	< 1.7	0.90	1.50	155
F17T8	3	49	0.82	0.50	< 1.7	0.94	1.92	160
F25T8	4	81	1.25	0.54	< 1.7	0.85	1.05	140
F25T8	3	66	1.07	0.52	< 1.7	0.92	1.39	150
F32T8	4	105	1.51	0.58	< 1.7	0.88	0.83	125
F32T8	3	87	0.73	0.55	< 1.7	0.92	1.06	135

PERFORMANCE:

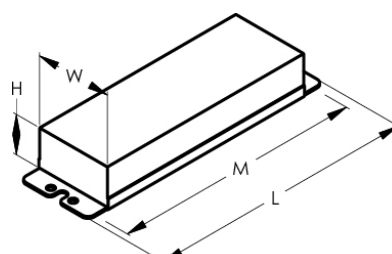
- Sound Rated: A
- Minimum Starting Temperature: 0°F, -18°C
- Maximum Ambient Temperature: 122°F, 50°C
- Meets FCC Part 18 (Class B) Consumer Limits

APPROVALS:

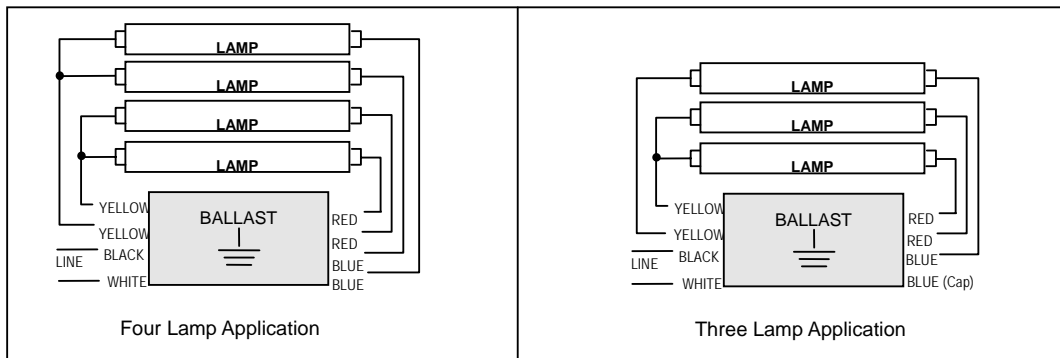
- UL & cUL 935

PHYSICAL DIMENSIONS:

Length (L):	9.50"
Width (W):	1.70"
Height (H):	1.15"
Mounting (M):	8.90"
Lead Length:	
White, Black	25"
Blue	32"
Red	32"
Yellow	48"



WIRING DIAGRAM:



KEYSTONE TECHNOLOGIES LLC.
P.O. Box 246, AMBLER, PENNSYLVANIA 19002
PHONE: 215-283-2600
FAX: 215-628-4412
INFO@KEYSTONEBALLAST.COM
WWW.KEYSTONEBALLAST.COM