



KTET-60-1-SCP-DIM-AL	
Transformer Type	Electronic
Lamp Connection	Parallel
Input Voltage	120Vac ± 10%
Input Frequency	50/60Hz

ELECTRICAL SPECIFICATIONS:

Lamp Type	Input Watts	Input Current (Amps)	Power Factor	Output Voltage
12V Halogen Lamps	60	0.51	0.98	11.8

PERFORMANCE:

- Minimum Starting Temperature: 0°F, -18°C
- Maximum Case Temperature: 167°F, 75°C
- Transient Protection meets ANSI/IEEE C62.41 Cat. A
- With Short Circuit Protection
- Class 2 Transformer
- Dimmable
- 3-Year Warranty

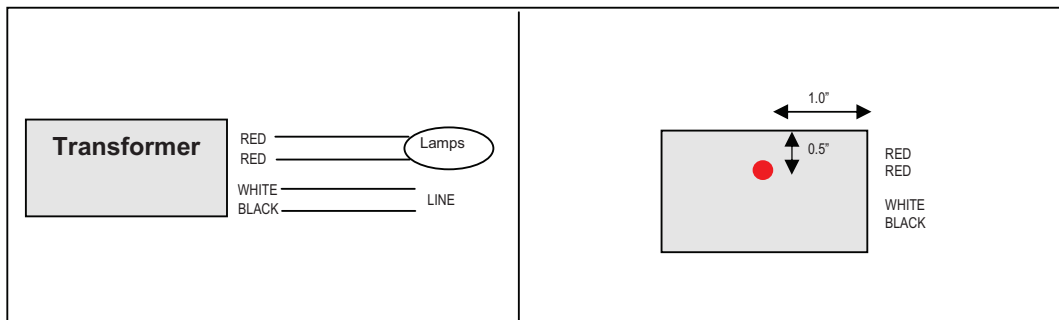
APPROVALS:

- RU, cRU

PHYSICAL DIMENSIONS:

Length (L):	2.28"	
Width (W):	1.30"	
Height (H):	0.79"	
Lead Length:		
White, Black	8"	
Red	6"	
Case material:	Aluminium	

WIRING DIAGRAM:



1.877.652.9640
248.652.9640

Commercial and Residential
Monday-Friday 8am - 5pm EST

Green Electrical Supply

www.GreenElectricalSupply.com

2355 Arizona Court, Rochester Hills, MI 48309