



KTET-75-1-SCP-DIM-AL	
Transformer Type	Electronic
Lamp Connection	Parallel
Input Voltage	120Vac ± 10%
Input Frequency	60Hz

ELECTRICAL SPECIFICATIONS:

Lamp Type	Input Watts	Input Current (Amps)	Power Factor	Output Voltage
12V Halogen Lamps	72	0.62	0.976	11.2

PERFORMANCE:

- Minimum Starting Temperature: 0°F, -18°C
- Maximum Case Temperature: 167°F, 75°C
- Transient Protection meets ANSI/IEEE C62.41 Cat. A
- With Short Circuit Protection
- Dimmable
- 3-Year Warranty

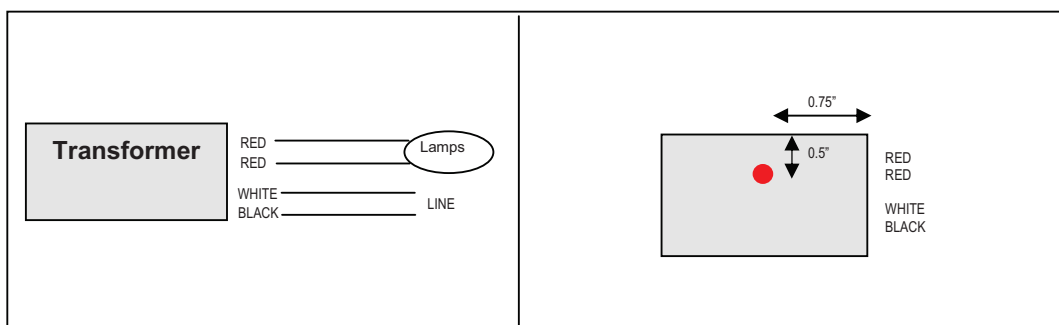
APPROVALS:

- RU, cRU

PHYSICAL DIMENSIONS:

<p>Length (L): 2.08"</p> <p>Width (W): 1.30"</p> <p>Height (H): 0.79"</p> <p>Lead Length:</p> <p>White, Black 8"</p> <p>Red 6"</p> <p>Case material: Metal</p>	
---	--

WIRING DIAGRAM:



1.877.652.9640
248.652.9640

Commercial and Residential
Monday-Friday 8am - 5pm EST

Green Electrical Supply
www.GreenElectricalSupply.com
2355 Arizona Court, Rochester Hills, MI 48309