

LED A19 Dimmable Series



Stock No.	Product Description
LED-1010	A19-120-7-40-SW (Soft White)
LED-1011	A19-120-7-40-DL (Daylight)

Description:

Fully encapsulated, 120 Volt, 7 Watt, screw-in medium base mounting that integrates energy saving LED technology into a standard A19 format. Available in Soft White (SW) or Daylight (DL).

- Medium screw in base
- 7 Watt, 120 Volt operation
- Remote transformer not required
- Operates off of standard house current
- Soft White SW (2700K)
- Daylight DL (5700K)
- Compare to 40W
- 40 on-board SMD LED diodes
- Up to 50,000 hour lamp life.
- Very low heat output.
- Dimmable*
- 5 year warranty.
- UL listed
- US Patent D645,985

Applications:

The A19 7W lamp has been designed to retrofit existing A19 installations, thereby reducing maintenance and energy expenditures - and as an energy saving light source for new fixtures and installations.

- Retail display applications
- Task lighting
- Recessed downlighting
- Residential lighting

*Dimming:

Contact sales@led-llc.com for a full list of compatible incandescent dimmers.

Packaging:

Master pack: 24 lamps

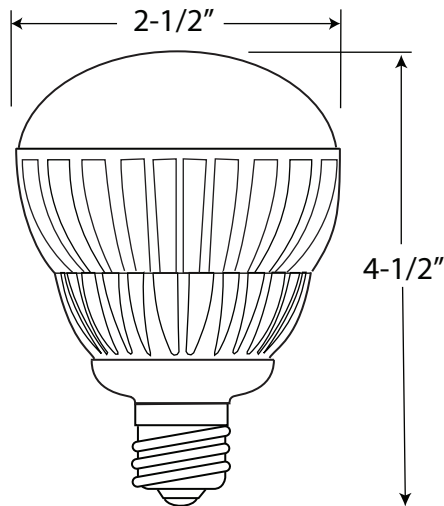


Contact us about the full line of Pageant LED products.



Lighting Facts	
Light Output (Lumens)	395
Watts	6.4
Lumens per Watt (Efficacy)	62
Color Accuracy Color Rendering Index (CRI)	85
Light Color Correlated Color Temperature (CCT)	2784 (Warm White)
<small>All results are according to IESNA LM-79-2008: Approved Method for the Electrical and Photometric Testing of Solid-State Lighting. The U.S. Department of Energy (DOE) verifies product test data and results.</small>	
<small>Visit www.lightingfacts.com for the Label Reference Guide.</small>	
<small>Registration Number: 64HS-2PTQW7 (0/27/2011)</small>	
<small>Model Number: LED-1010</small>	
<small>Type: Replacement Lamp - Directional (Other)</small>	

LED-1010



Technical Specifications:

Bulb Type:	A19	Base Type:	Medium E26
Bulb Material:	Glass / Aluminum	Replaces:	40W
Lumens:	400SW / 490DL	Life Time:	Up to 50,000 Hrs.
Input Voltage:	AC120V	Output Power:	7W
Dimensions:	4-1/2" x 2-1/2"	Beam Angle:	105°
Light Source:	40pc SMD LED	Color:	(SW) est. 2700K (DL) est. 5700K
Dimmable:	Yes	Lumens / Watt:	61 SW / 73 DL
CRI:	85	UV / IR Radiation:	No
UV / IR Radiation:	No	Inert Gasses:	No

Note: All specification information falls within a ± 2% range

NOTE: Light Emitting Designs is providing this information to the general public. Please note that all products contained herein are trademarked, copyrighted, and/or have patents pending. Any use of these designs is strictly prohibited without prior written consent. Light Emitting Designs protects its proprietary information vigorously in the courts of the United States of America.

Green Electrical Supply

GreenElectricalSupply.com

Our Customer Service Department is here to assist you at 877-652-9640