

LED R30 / 65BR30 / PAR30 Dimmable Series



Stock No.	Product Description
LED-1694	R30-120-11-55-SW (Soft White)
LED-1695	R30-120-11-55-DL (Daylight)

Description:

Fully encapsulated, 120 Volt, 11 Watt, screw-in medium base mounting that integrates energy saving LED technology into a standard R30 / 65BR30 / PAR30 format. Available in Soft White (SW) or Daylight (DL).

- Medium screw in base
- 11 Watt, 120 Volt operation
Remote transformer not required
Operates off of standard house current
- Soft White SW (2800K)
- Daylight DL (5500K)
- Compare to 65W R30 / 65BR30 / PAR30
- 55 on-board Hi Power LED diodes
- Up to 50,000 hour lamp life.
- Very low heat output.
- Dimmable*
- 5 year warranty.
- UL pending
- Patent Pending US 29/377,551

Applications:

The R30 / 65BR30 / PAR30 11W lamp has been designed to retrofit existing R30 / 65BR30 / PAR30 installations, thereby reducing maintenance and energy expenditures - and as an energy saving light source for new fixtures and installations.

- Retail display applications
- Task lighting
- Recessed downlighting
- Residential lighting

***Dimming:**

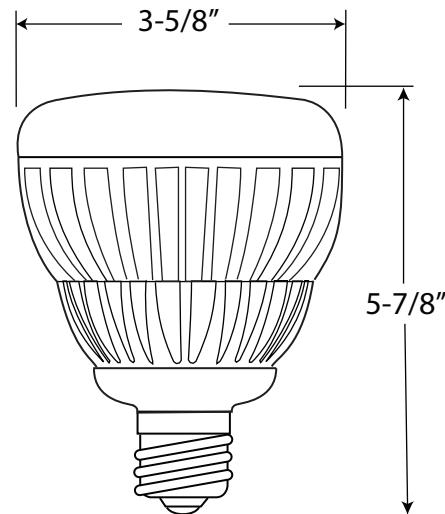
Contact sales@led-llc.com for a full list of compatible incandescent dimmers.

Packaging:

Master pack: 18 lamps



Contact us about the full line of Pageant LED products.



Technical Specifications:

Bulb Type:	R30/65BR30/PAR30	Base Type:	Medium E26
Bulb Material:	Glass / Aluminum	Replaces:	65W
Lumens:	575SW / 635DL	Life Time:	Up to 50,000 Hrs.
Input Voltage:	AC120V	Output Power:	11W
Dimensions:	3-5/8" x 5-7/8"	Beam Angle:	105°
Light Source:	55pc HP LED	Color:	(SW) est. 2800K (DL) est. 5500K
Dimmable:	Yes		
CRI:	75 SW / 70 DL	Lumens / Watt:	55 SW / 60DL
UV / IR Radiation:	No	Inert Gases:	No

Note: All specification information falls within a ± 2% range

NOTE: Light Emitting Designs is providing this information to the general public. Please note that all products contained herein are trademarked, copyrighted, and/or have patents pending. Any use of these designs is strictly prohibited without prior written consent. Light Emitting Designs protects its proprietary information vigorously in the courts of the United States of America.

Green Electrical Supply

GreenElectricalSupply.com

Call 877-652-9640 for quantity discounts and low price guarantee.