

LED R / PAR Dimmable Series



Stock No.	Product Description
LED-1716	R40-120-13-80-SW (Soft White)
LED-1717	R40-120-13-80-DL (Daylight)

Description:

Fully encapsulated, 120 Volt, 13 Watt, screw-in R40 medium base mounting that integrates energy saving LED technology into a standard R40 format. Available in Soft White (SW) or Daylight (DL).

- Medium screw in base
- 13 Watt, 120 Volt operation
- Remote transformer not required
- Operates off of standard house current
- Soft White SW (2700K)
- Daylight DL (5700K)
- Compare to 75W
- 80 on-board SMD LED diodes
- Up to 50,000 hour lamp life.
- Very low heat output.
- Dimmable*
- 5 year warranty.
- UL classified
- Patented: US D645,988

Applications:

The R40 13W lamp has been designed to retrofit existing R40 and PAR38 installations, thereby reducing maintenance and energy expenditures - and as an energy saving light source for new fixtures and installations.

- Retail display applications
- Task lighting
- Recessed downlighting
- Hospitality and institutional
- Residential lighting

*Dimming:

Contact sales@led-llc.com for a full list of compatible incandescent dimmers.

Packaging:

Master pack: 18 lamps

Lighting facts
A Program of the U.S. DOE

Light Output (Lumens)	735
Watts	12.8
Lumens per Watt (Efficacy)	57
Color Accuracy Color Rendering Index (CRI)	85

Light Color
Correlated Color Temperature (CCT) 2795 (Warm White)

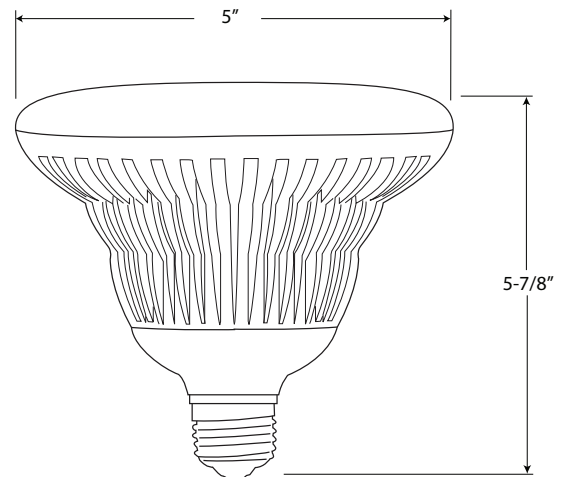
2700K 3000K 4500K 6500K

All results are according to IESNA LM-79-2008: Approved Method for the Electrical and Photometric Testing of Solid-State Lighting. The U.S. Department of Energy (DOE) verifies product test data and results.

Visit www.lightingfacts.com for the Label Reference Guide.

Registration Number: 64HS-4R1LBD (9/27/2011)
Model Number: LED-1716
Type: Replacement Lamp - Directional (R38, PAR38)

LED-1716



Technical Specifications:

Bulb Type: R40, PAR38	Base Type: Medium E26
Bulb Material: Glass / Aluminum	Replaces: 75W
Lumens: 750SW / 860DL	Life Time: Up to 50,000 Hrs.
Input Voltage: AC120V	Output Power: 13W
Dimensions: 5-7/8" x 5"	Beam Angle: 105°
Light Source: 80pc SMD LED	Color: (SW) est. 2700K
Dimmable: Yes	(DL) est. 5700K
CRI: 85	Lumens / Watt: 57SW / 64DL
UV / IR Radiation: No	Inert Gasses: No

Note: All specification information falls within a ± 2% range

NOTE: Light Emitting Designs is providing this information to the general public. Please note that all products contained herein are trademarked, copyrighted, and/or have patents pending. Any use of these designs is strictly prohibited without prior written consent. Light Emitting Designs protects its proprietary information vigorously in the courts of the United States of America.



877.652.9640
248.652.9640

Green
Electrical Supply
Maximize your Green

GreenElectricalSupply.com

Green Electrical Supply

GreenElectricalSupply.com

Our Customer Service Department is here to assist you at 877-652-9640