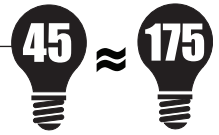


LED Site / Warehouse / Garage Series



Stock No.	Product Description
LED-8041	PAR38-120/277-45-24-DL (Daylight - 45°)
LED-8042	PAR38-120/277-45-24-DL (Daylight - 90°)

Description:

Fully encapsulated, 100 - 277 Volt, E39/E40 mounting that integrates energy saving LED technology into a powerful yet energy saving SMD LED 'low bay / garage' lamp.

Available in Daylight (DL).

- 45 Watt
- 100 - 277 Volt operation
- Daylight DL (5500K)
- 2900 lumens
- 24 on-board CREE LED SMDs
- 45° or 90° beam
- Up to 50,000 hour lamp life
- Minimal heat output
- Not Dimmable
- 5 year warranty

Applications:

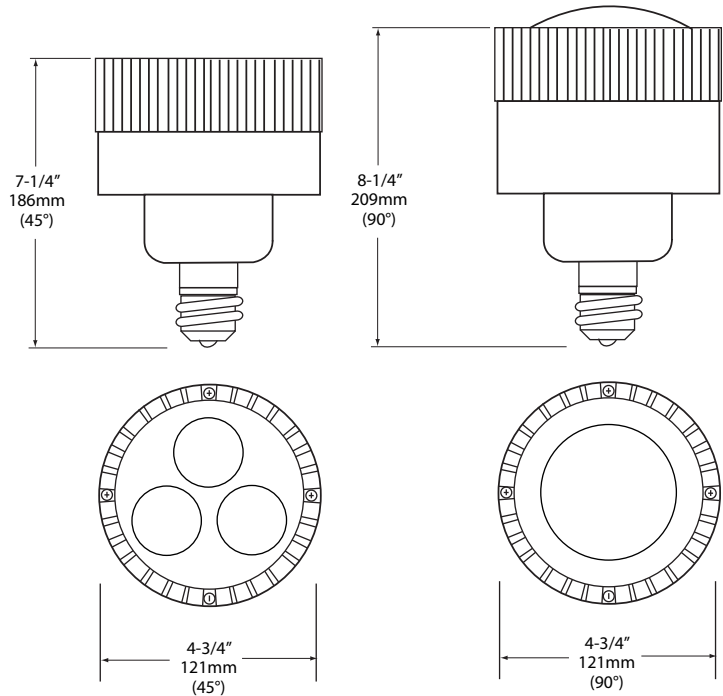
LED Site / Warehouse / Garage Series lamps can impact energy usage and costs in a major way for communities and housing developments with minimal to no maintenance costs thanks to the up to 50,000 hour lamp life.

- Site / Roadway / Post Top
- Wall packs (where applicable)
- Security lighting
- Parks and quads
- Municipal lighting
- Garages, warehouses

Packaging:

Master-pack: 4 each

NOTE: When retrofitting LED to HID fixture, ballast must be by-passed when present. Eliminating the ballast saves additional costs related to maintenance, energy consumption and performance.



Technical Specifications:

Bulb Type:	Site/Warehouse/Garage	Mounting:	Mogul E39/E40
Bulb Material:	Aluminum/Acrylic	Replaces:	175W HPS
UV:	None	Life Time:	Up to 50,000 Hrs.
Output Power:	45W	Input Voltage:	AC 100 - 277V
Lumens:	2900	Beam Angle:	45° or 90°
Dimensions:	7-1/4" or 8-1/4" x 4-3/4" 186mm or 209mm x 121mm	Kelvin Temp.:	(DL) 5500K
Lumen per Watt:	64	LEDs:	24 CREE
Frequency:	47 - 63Hz	Mercury:	None
		CRI:	65

NOTE: Light Emitting Designs is providing this information to the general public. Please note that all products contained herein are trademarked, copyrighted, and/or have patents pending. Any use of these designs is strictly prohibited without prior written consent. Light Emitting Designs protects its proprietary information vigorously in the courts of the United States of America.

108 S. Wynstone Park Drive • Suite 103 • N. Barrington, IL 60010 • (847) 380-3540
 FAX: (847) 380-3542 www.led-llc.com Specs subject to change without notice. 071411_LED-8041



Light Emitting Designs
 a division of TADD, LLC