



LED-CFLM-120-38-42-DL

Fixture Description:

Mogul base Hi Power 38W LED Site / Roadway or Wall Pack lamp that can replace a 75-100W HPS light output in an energy saving, 50,000 hr. alternative to Metal Halide, HPS, Fluorescent, or Incandescent lighting.

Construction Features:

1. Die cast oxygenation aluminum alloy with a clear plastic shield to protect the Hi Power LED diodes.
2. Mogul screwed base E39/E40
3. Maximum Overall Length: 275mm (10-7/8")
4. Bulb Diameter: 90mm (3-5/8")

Electrical Features:

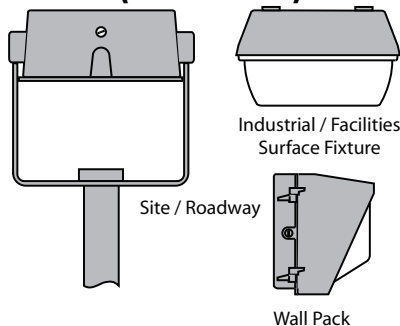
5. 28 Hi Power Cool White LED diodes
6. Up to 50,000 hours lamp life
7. 100-277V
8. <38.0 Watts

Photometric Characteristics:

9. Color Temp: Pure White 5500K
10. Nominal Initial Lumens per Watt: 55.2

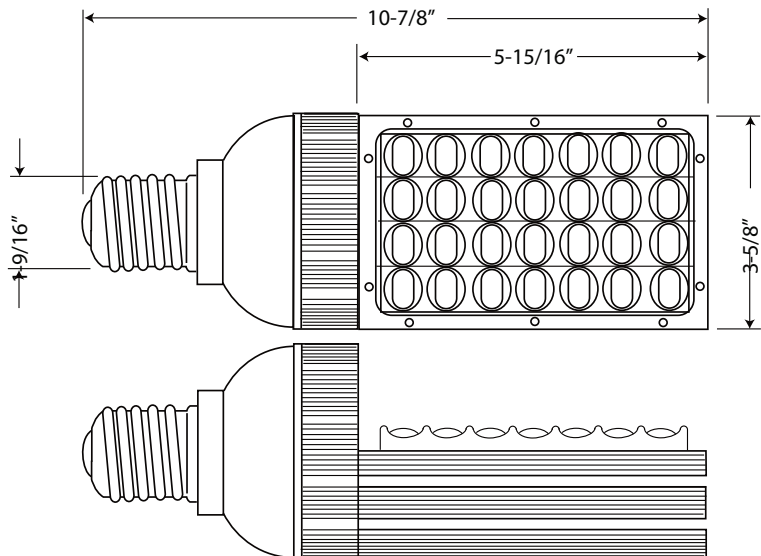
**Note: Maximum height from ground is 7 meters.
5 year warranty.**

For Fixtures (not included):



NOTE: When retrofitting LED to HID fixture, ballast must be by-passed when present. Eliminating the ballast saves additional costs related to maintenance, energy consumption and performance. Additionally, by-passing ballast will insure no RFI interference.

JOIN THE RETROFIT REVOLUTION™



Technical Specifications:

Bulb Type:	Site / Roadway	Mounting:	Mogul E39/E40
Bulb Material:	Aluminum/Acrylic	Replaces:	75-100W HPS
Lumens	2100	Life Time:	Up to 50,000 Hrs.
Input Voltage:	100-277V	Output Power:	38W
Dimensions:	10-7/8" x 3-5/8"	Beam Angle:	120°
Light Source:	28 Hi Power LEDs	Kelvin Temp.:	(DL) 5500K
CRI:	75	Lumens / Watt:	55

Note: All specification information falls within a ± 2% range

NOTE: Light Emitting Designs is providing this information to the general public. Please note that all products contained herein are trademarked, copyrighted, and/or have patents pending. Any use of these designs is strictly prohibited without prior written consent. Light Emitting Designs protects its proprietary information vigorously in the courts of the United States of America.



Light Emitting Designs
Environmental
Lighting Solutions
a division of TADD, LLC

Green Electrical Supply

GreenElectricalSupply.com

Call 877-652-9640 for quantity discounts and low price guarantee.