

LED GU10 Series



LED-GU10-120-3-3-SW-60 (Soft White - Wide 60° Beam)

LED-GU10-120-3-3-DL-60 (Daylight - Wide 60° Beam)

Description:

Fully encapsulated, 120 Volt, 3 Watt, GU10 mounting that integrates energy saving Hi Power LED technology into a GU10 format. Available in Soft White (SW) and Daylight (DL) in a wide 60° beam angle.

- GU10 base allows mounting an MR16 formatted lamp into a 120V GU10 socket
- 3 Watt, 120 Volt operation. Remote transformer not required
- Soft White SW (3000K) in a wide 60° beam
- Daylight DL (5000K) in a wide 60° beam
- Compare to 30W MR16 medium flood light output
- 3 on-board Hi-Power CREE LED diodes
- Up to 50,000 hour lamp life
- Very low heat output
- 5 year warranty
- Non dimmable

Applications:

The LED-MR16 3W GU 2-pin lamp has been designed to retrofit GU base fixtures where a low profile MR16 is desired, also reducing maintenance and energy expenditures - and as an energy saving light source for new fixtures and installations.

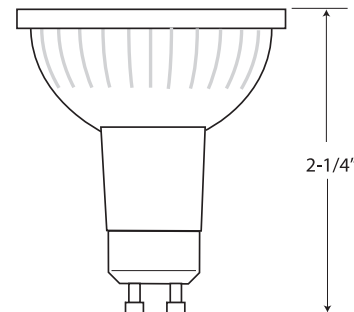
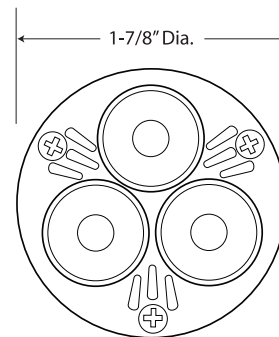
- Retail display applications
- Task lighting
- Recessed downlighting
- Undercabinet lighting (especially where heat is a factor)
- Hospitality and institutional retrofit
- Underwater fixtures and applications
- Residential lighting

NOTE: For indoor use only in 'open air', or nearly 'open air' fixtures, such as exposed track and suspended fixtures. All LED bulbs cannot be used in fully enclosed fixtures.

JOIN THE RETROFIT REVOLUTION™



Light Emitting Designs
Environmental Lighting Solutions
a division of TADD, LLC



Technical Specifications:

Bulb Type:	MR16	Base Type:	GU 10
Bulb Material:	Glass	Replaces:	30W
Lumens:	160(SW)/190(DL)	Life Time:	Up to 50,000 Hrs.
Input Voltage:	120V	Output Power:	3W
Dimensions:	1-7/8" x 2-1/4"	Beam Angle:	60° Wide
Light Source:	3 pc CREE LED	Color:	(SW) est. 3000K (DL) est. 5000K
CRI:	80		
UV/IR Radiation:	No	Lumens / Watt:	65

Note: All specification information falls within a $\pm 2\%$ range

NOTE: Light Emitting Designs is providing this information to the general public. Please note that all products contained herein are trademarked, copyrighted, and/or have patents pending. Any use of these designs is strictly prohibited without prior written consent. Light Emitting Designs protects its proprietary information vigorously in the courts of the United States of America.

Green Electrical Supply

GreenElectricalSupply.com

Call 877-652-9640 for quantity discounts and low price guarantee.