

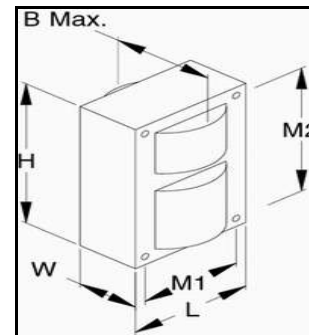
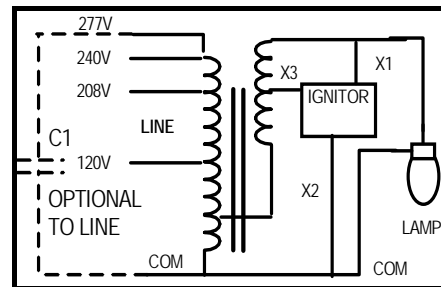


Catalog #	<b>MH-50X-D</b>
Type:	50W Metal Halide
Voltage:	Dual (120/277)

### General Information

Lamp Type	50W MH
ANSI Designation	M110
Line Voltage (V)	120/277
Regulation	5%
Frequency (Hz)	60
Recommended Fuse (A)	3/2
Circuit Type	HX-HPF
Insulation Class	180°C
Capacitor Value	6 MF
Capacitor Voltage Rating	280 V
Cap. Temp. Rating	90°C
Winding Materials (Pri/Sec)	Cu/Cu
Lamp Starter	XG-04
Agency Certification	RU, cRU
Maximum Distance to Lamp	10 FT

### Wiring Diagram



### Electrical Characteristics

Line Volt (V)	Power Factor	Line Current (A)			Input Power (W)	Open Circuit Voltage (V)	Min Start Temp.	UL Temp. Code
		Operating	Open	Start				
120	High	0.58	1.20	0.50	61	270	-30°C	A
277	High	0.25	0.51	0.22	61	270	-30°C	A

### Physical Characteristics

Overall Dimensions (Inches)				Mounting Holes (Inches)			Bracket Dimension (Inches)		Ballast Net Weight (KG)	Lead Length (Inches)
Length	Width	Height	B max.	Diameter	M1	M2	Length	Width		
2.80	1.04	3.94	2.10	0.25	2.44	3.50	5.5	1.25	1.45	12-14

**KEYSTONE TECHNOLOGIES LLC.**  
P.O. Box 246, AMBLER, PENNSYLVANIA 19002  
PHONE: 215-283-2600  
FAX: 215-628-4412  
INFO@KEYSTONEBALLAST.COM  
WWW.KEYSTONEBALLAST.COM