

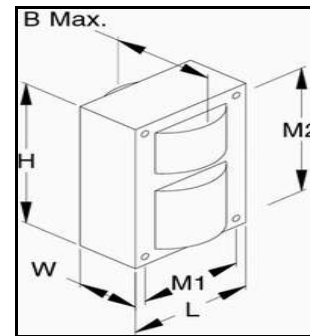
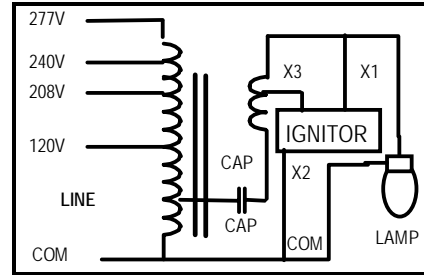


Catalog #	MPS-450A-Q-HP
Type:	450W Pulse Start Metal Halide
Voltage:	Quad (120/208/240/277)

General Information

Lamp Type	450W MH PS
ANSI Designation	M144
Line Voltage (V)	120/208/240/277
Regulation	10%
Frequency (Hz)	60
Recommended Fuse (A)	10/8/5/5
Circuit Type	CWA
Insulation Class	180°C
Capacitor Value	26.5 MF
Capacitor Voltage Rating	400 V
Cap. Temp. Rating	90°C
Winding Materials (Pri/Sec)	Cu/Cu
Lamp Starter	XG-04
Agency Certification	RU, cRU
Maximum Distance to Lamp	N/A

Diagrams



Electrical Characteristics

Line Volt (V)	Power Factor	Line Current (A)			Input Power (W)	Open Circuit Voltage (V)	Min Start Temp.	UL Temp. Code
		Operating	Open	Start				
120	High	4.41	4.20	4.79	505	313	-30°C	C
208	High	2.56	2.49	1.93	505	313	-30°C	C
240	High	2.20	2.12	1.71	505	313	-30°C	C
277	High	1.93	1.87	1.49	505	313	-30°C	C

Physical Characteristics

Overall Dimensions (Inches)				Mounting Holes (Inches)			Bracket Dimension (Inches)		Ballast Net Weight (KG)	Lead Length (Inches)
Length	Width	Height	B max.	Diameter	M1	M2	Length	Width		
4.25	2.30	4.25	4.33	0.25	3.87	4.38	7.25	1.11	5.35	12-14

KEYSTONE TECHNOLOGIES LLC.
P.O. Box 246, AMBLER, PENNSYLVANIA 19002
PHONE: 215-283-2600
FAX: 215-628-4412
INFO@KEYSTONEBALLAST.COM
WWW.KEYSTONEBALLAST.COM