



Energy Efficient Lighting Products

Model No :	SKEU322/SC
Ballast Type	Electronic
Lamp Operation	Parallel / Instant start
Input Voltage	120-277
Frequency	50/60hz

SPECIFICATION

Lamp Type	No. of Lamps	Input Voltage (V)	Input Current (A)	Input Power (W)	Power Factor	MAX THD (%)	Ballast Factor	Min. Starting Temperature (°F)	Lamp Current Crest Factor	B.E.F.
F32T8 32W	2	120/277	0.50/0.21	59	0.98	<10%	0.89	0	1.7	1.51/1.56
F25T8 25W	2	120/277	0.38/0.17	48	0.98/0.97	<10/15%	0.9	0	1.7	1.88/1.91
F17T8 17W	2	120/277	0.26/0.12	36	0.98/0.96	<10/15%	0.86	0	1.7	2.39
F32T8/ES 30W	2	120/277	0.45/0.19	54-52	0.98	<10%	0.88	0	1.7	1.63/1.69
F32T8/ES 28W	2	120/277	0.40/0.17	49-48	0.98	<10/15%	0.88	0	1.7	1.80/1.83
F32T8/ES 25W	2	120/277	0.38/0.16	46-45	0.98	<10/15%	0.88	0	1.7	1.91/1.96
F48T12 40W	2	120/277	0.42/0.18	50	0.98	<10/15%	0.65	0	1.7	1.3
F48T12 34W	2	120/277	0.35/0.15	41	0.98	<10/15%	0.6	0	1.7	1.46
F48T12 25W	2	120/277	0.40/0.17	48	0.98	<10/15%	0.94	0	1.7	1.96
FT36W 36/39W	2	120/277	0.42/0.18	49	0.98	<10/15%	0.7	0	1.7	1.43
F32T8 32W	1	120/277	0.32/0.14	39	0.98/0.97	<10/15%	0.89	0	1.7	2.28/2.34
F25T8 25W	1	120/277	0.24/0.11	31	0.98/0.96	<10/15%	0.9	0	1.7	2.90/3.00
F17T8 17W	1	120/277	0.18/0.08	25	0.95	<15%	0.86	0	1.7	3.44
F40T8 40W	1	120/277	0.38/0.16	47	0.98/0.97	<10/15%	1	32	1.7	2.13/2.17
F32T8/ES 30W	1	120/277	0.28/0.12	33	0.98	<10/15%	1.03	0	1.7	3.12
F32T8/ES 28W	1	120/277	0.25/0.11	31	0.98	<10/15%	1.02	0	1.7	3.29
F32T8/ES 25W	1	120/277	0.24/0.11	29	0.98	<10/15%	1.03	0	1.7	3.55
F48T12 40W	1	120/277	0.26/0.11	31	0.98	<10/15%	0.65	0	1.7	2.1
F48T12 34W	1	120/277	0.22/0.10	26	0.98	<10/15%	0.6	0	1.7	2.31
F48T12 25W	1	120/277	0.25/0.11	30	0.98	<10/15%	1	0	1.7	3.33
FT36W 36/39W	1	120/277	0.29/0.13	32	0.98	<10/15%	0.8	0	1.7	2.5
FT40W	1	120/277	0.33/0.14	39	0.98	<10/15%	0.9	0	1.7	2.31

Performance:

- Meets ANSI Standard C82.11
- Meets ANSI Standard C62.41
- Meets FCC Part 18 Class A (non-Consumer Limits)

Safety:

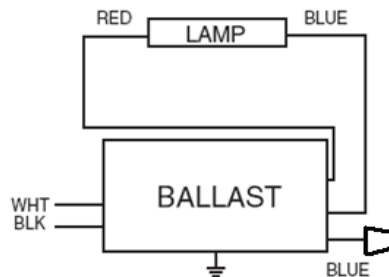
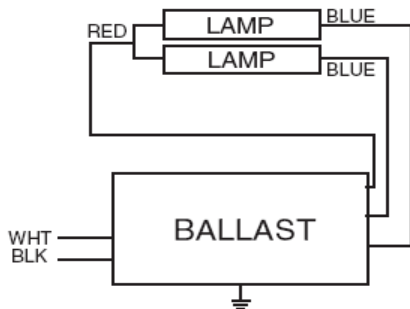
- No PCB's
- UL/CUL Listed
- Class P, Type 1 Outdoor
- OCV 600v

Application:

- Remote Mounting: 18ft. Max overall lead length, 18A)
- Maximum Case Temperature 75°c / 167° F
- Sound Rated - "A"
- Maximum Ambient Temperature 40°c / 105° F

Case	Inches
Length (L)	9.5
Width (W)	1.3
Height (H)	1
Mounting (M)	8.91
Weight	1.10 lbs

Lead Length	Inches (+/-1)
Black	25
White	25
Red	46
Blue	31
Yellow	N/A



Green Electrical Supply

GreenElectricalSupply.com

Call 877-652-9640 for quantity discounts and low price guarantee.