



Energy Efficient Lighting Products

Model No :	SKEU322H/SC
Ballast Type	Electronic
Lamp Operation	Parallel / Instant start
Input Voltage	120-277
Frequency	50/60hz

**SPECIFICATION**

Lamp Type	No. of Lamps	Input Voltage	Input Current	Input Watts	Power Factor	THD	Ballast Factor	Min. Starting Temperature	Lamp Current Crest Factor	B.E.F.
F32T8 32W	2	120/277	0.62/0.22	74/73	0.98	10%	1.18	0/-18	1.7	1.59/1.61
FB32T8 32W	2	120/277	0.62/0.27	74/73	0.98	10%	1.18	0/-18	1.7	1.59/1.61
FB32T8 31W	2	120/277	0.58/0.25	73/71	0.98	10%	1.18	0/-18	1.7	1.61/1.66
FB28T8 28W	2	120/277	0.54/0.24	65/63	0.98	10 / 15%	1.18	0/-18	1.7	1.81
F32T8/ES/30 30W	2	120/277	0.58/0.25	69	0.98	10 / 15%	1.18	0/-18	1.7	1.71
F32T8/ES/28 28W	2	120/277	0.54/0.24	64/63	0.98	10 / 15%	1.18	0/-18	1.7	1.84/1.87
F32T8/ES/25 25W	2	120/277	0.53/0.23	63/62	0.98	10 / 15%	1.18	0/-18	1.7	1.87/1.90
F25T8 25W	2	120/277	0.45/0.20	54	0.98/0.97	10 / 15%	1.2	0/-18	1.7	2.20/2.22
F17T8 17W	2	120/277	0.33/0.15	39	0.98	10 / 15%	1.23	0/-18	1.7	3.15
F40T8 40W	1	120/277	0.45/0.20	54	0.98	10 / 15%	1.35	32/0	1.7	2.49/2.50
F32T8 32W	1	120/277	0.37/0.17	45	0.98/0.97	10 / 15%	1.38	0/-18	1.7	3.06
FB32T8 32W	1	120/277	0.37/0.17	45	0.98/0.97	10%	1.38	0/-18	1.7	3.06
FB31T8 32W	1	120/277	0.36/0.16	45/44	0.98/0.97	10%	1.38	0/-18	1.7	3.13/3.14
FB28T8 28W	1	120/277	0.33/0.15	39	0.98/0.97	10%	1.38	0/-18	1.7	3.53/3.54
F32T8/ES/30 30W	1	120/277	0.36/0.16	44	0.98/0.97	10%	1.38	0/-18	1.7	3.13/3.14
F32T8/ES/28 28W	1	120/277	0.33/0.15	39	0.98/0.97	10%	1.38	0/-18	1.7	3.53/3.54
F32T8/ES/25 25W	1	120/277	0.32/0.15	38	0.98/0.97	10%	1.38	0/-18	1.7	3.63
F25T8 25W	1	120/277	0.28/0.13	33	0.98/0.96	10%	1.4	0/-18	1.7	4.24
F17T8 17W	1	120/277	0.22/0.11	25	0.95	10%	1.42	0/-18	1.7	5.68/5.69

**Performance:**

- Meets ANSI Standard C82.11
- Meets ANSI Standard C62.41
- Meets FCC Part 18 Class A (non-Consumer Limits)

**Safety:**

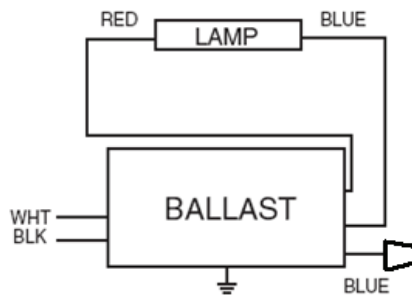
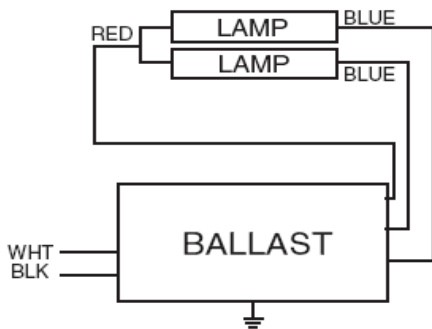
- No PCB's
- UL/CUL Listed
- Class P, Type 1 Outdoor
- OCV 600v

**Application:**

- Remote Mounting: 18ft. Max overall lead length, 18AWG
- Maximum Case Temperature 90°C / 194° F
- Sound Rated - "A"
- Maximum Ambient Temperature 40°C / 105° F

Case	Inches
Length (L)	9.5
Width (W)	1.3
Height (H)	1
Mounting (M)	8.91
Weight	1.10 lbs

Lead Length	Inches (+/-1)
Black	25
White	25
Red	46
Blue	31
Yellow	N/A



**Green Electrical Supply** [GreenElectricalSupply.com](http://GreenElectricalSupply.com)  
**Call 877-652-9640 for quantity discounts and low price guarantee.**