



Energy Efficient Lighting Products

Model No :	SKEU322HE/SC
Ballast Type	Electronic
Lamp Operation	Parallel / Instant start
Input Voltage	120-277
Frequency	50/60hz

SPECIFICATION

Lamp Type	No. of Lamps	Input Voltage	Input Current	Input Watts	Power Factor	THD	Ballast Factor	Min. Starting Temperature	Lamp Current Crest Factor
F32T8 32W	2	120/277	0.46/0.20	55/54	>0.98	<10%	0.89	0°F	1.7
F32T8/ES/30	2	120/277	0.43/0.19	51	>0.98	<10 / <15%	0.89	0°F	1.7
F32T8/ES/28	2	120/277	0.41/0.18	49/47	>0.98	<10%	0.89	0°F	1.7
F32T8/ES/25	2	120/277	0.39/0.17	46/45	>0.98	<10%	0.89	0°F	1.7
F32T8 32W	1	120/277	0.30/0.13	35	>0.98	<10%	1.05	0°F	1.7

Performance:

- Meets ANSI Standard C82.11
- Meets ANSI Standard C62.41
- Meets FCC Part 18 Class A (non-Consumer Limits)
- CEE "High Performance" and "Reduced Wattage" 32W T8 Lighting System

Safety:

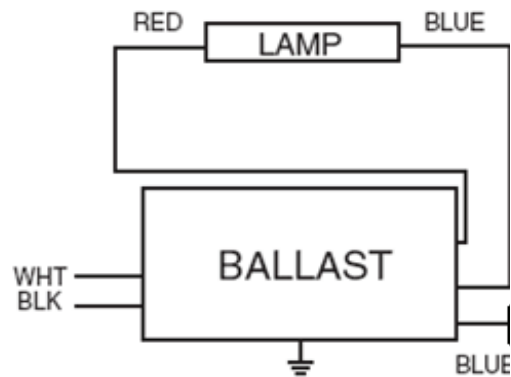
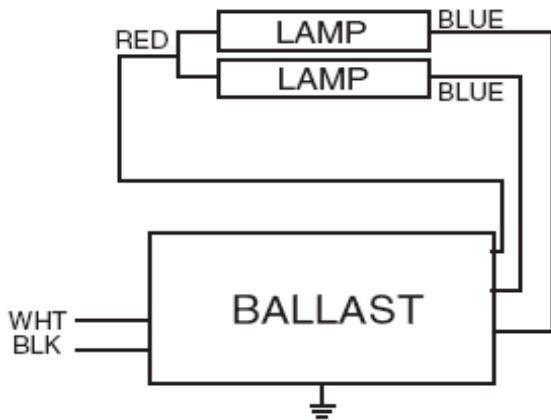
- No PCB's
- UL/CUL Listed
- Class P, Type 1 Outd
- OCV 600v

Application:

- Remote Mounting: 18ft. Max overall lead length, 18A
- Maximum Case Temperature 75°c / 167° F
- Sound Rated - "A"
- Maximum Ambient Temperature 40°c / 105° F

Case	Inches
Length (L)	9.5
Width (W)	1.3
Height (H)	1
Mounting (M)	8.91
Weight	1.10 lbs

Lead Length	Inches (+/-1)
Black	25
White	25
Red	46
Blue	31
Yellow	N/A



Green Electrical Supply GreenElectricalSupply.com
Call 877-652-9640 for quantity discounts and low price guarantee.

B.E.F.
1.62/1.65
1.75
1.82/1.89
1.93/1.98
3.00

oor

