



Energy Efficient Lighting Products

Model No :	SKEU322L/SC
Ballast Type	Electronic
Lamp Operation	Parallel / Instant start
Input Voltage	120-277
Frequency	50/60hz

SPECIFICATION

Lamp Type	No. of Lamps	Input Voltage	Input Current	Input Watts	Power Factor	THD	Ballast Factor	Min. Starting Temperature	Lamp Current Crest Factor	B.E.F.
F32T8 32W	2	120/277	0.44/0.19	48	0.98	10 / 15%	0.78	0/-18	1.7	1.62
F25T8 25W	2	120/277	0.34/0.15	40/39	0.98	10 / 15%	0.81	0/-18	1.7	2.03/2.07
F17T8 17W	2	120/277	0.21/0.10	25	0.98	10 / 15%	0.84	0/-18	1.7	3.36
F32T8/ES 28W	2	120/277	0.36/0.16	44	0.98	10%	0.77	0/-18	1.7	1.75
F32T8/ES 25W	2	120/277	.32/.09	39	0.98	10%	0.77	0/-18	1.7	1.97
F40T8 40W	1	120/277	0.35/0.15	41/40	0.98	10 / 15%	0.89	32/0	1.7	2.17/2.23
F32T8 32W	1	120/277	0.24/0.11	29/28	0.98	10 / 15%	0.83	0/-18	1.7	2.86/2.96
F25T8 25W	1	120/277	0.21/0.10	25	0.98	10 / 15%	0.8	0/-18	1.7	3.2
F32T8/ES 28W	1	120/277	0.24/0.11	29	0.98	10%	0.85	0/-18	1.7	2.93
F32T8/ES 25W	1	120/277	0.22/0.10	27	0.98	10%	0.85	0/-18	1.7	3.15

Performance:

- Meets ANSI Standard C82.11
- Meets ANSI Standard C62.41
- Meets FCC Part 18 Class A (non-Consumer Limits)
- CEE "High Performance" 32W T8 Lighting System

Safety:

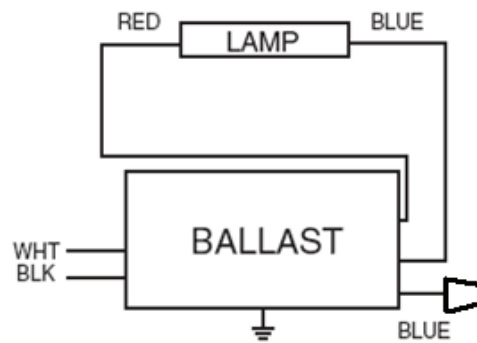
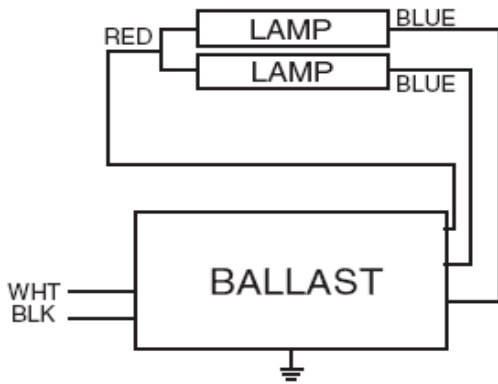
- No PCB's
- UL/CUL Listed
- Class P, Type 1 Outdoor
- OCV 600v

Application:

- Remote Mounting: 18ft. Max overall lead length, 18AWG
- Maximum Case Temperature 75°c / 167° F
- Sound Rated - "A"
- Maximum Ambient Temperature 40°c / 105° F

Case	Inches
Length (L)	9.5
Width (W)	1.3
Height (H)	1
Mounting (M)	8.91
Weight	1.10 lbs

Lead Length	Inches (+/-1)
Black	25
White	25
Red	46
Blue	31
Yellow	N/A



Green Electrical Supply

GreenElectricalSupply.com

Call 877-652-9640 for quantity discounts and low price guarantee.