

Electronics Ballast

Date : Oct. 20. 2004.

Rev. : 0

Page : 1/2

Standard : BALLAST SPECIFICATION

M o d e l : SKEU323

Input voltage : 120 to 277Volts, 50/60Hz

Power factor : > 0.99

THD : < 10%

3rd Harmonic content : < 6%

Line transient protection : Withstand transients defined in ANSI C62.41-1993

EMI : FCC Parts 18, Subparts C, Class A

Lamps : Three or two or one F32T8
Three or two or one F25T8
Three or two or one F17T8
Three or two or one F25T12
Three or two or one FT40W/2G11

Lamp current crest factor : < 1.7

Ballast factor : 0.88

Flicker : < 2%

Lamp configuration : Independent parallel

Type of start : Instant start

Minimum starting temperature : 0°F (-18°C)

Lamp current frequency : 45kHz

Sound rated : Class A

Remote Mounting : 640mm. Min. lead length, 18AWG Lead Wires

Weight : About 0.7kg

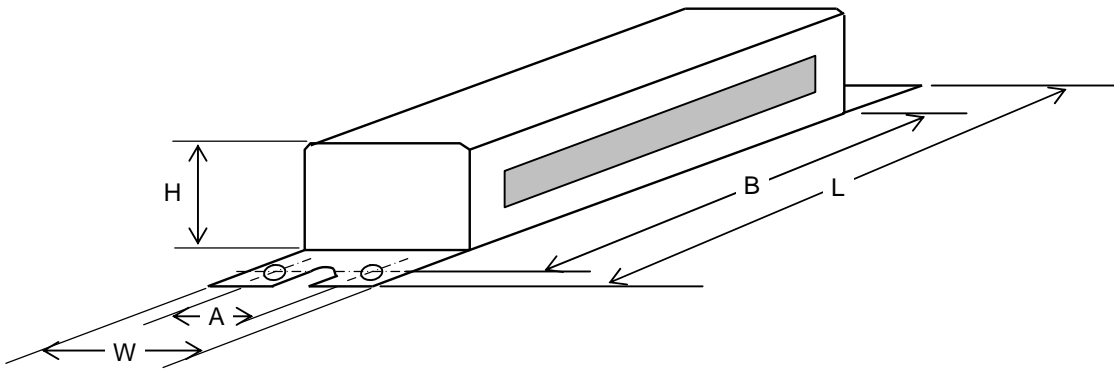


Electronics Ballast

Standard : BALLAST SPECIFICATION

Model : SKEU323

[DIMENSION]



Physical Parameters : inch / cm

| L | W | H | B | A |
|-------------|-------------|-------------|-------------|------------|
| 9.448/24.00 | 1.688/4.287 | 1.187/3.015 | 8.858/22.50 | 1.220/3.10 |

[WIRING DIAGRAM]

