



Energy Efficient Lighting Products

Model No :	SKEU323L/SC
Ballast Type	Electronic
Lamp Operatic	Parallel / Instant start
Input Voltage	120-277
Frequency	50/60hz

SPECIFICATION

Lamp Type	No. of Lamps	Input Voltage	Input Current	Input Watts	Power Factor	THD	Ballast Factor	Min. Starting Temperature	Lamp Current Crest Factor	B.E.F.
F32T8 32W	3	120/277	0.64/0.27	76/74	>0.98	<10%	0.78	0°F	1.7	1.03/1.05
F25T8 25W	3	120/277	0.51/0.22	60/58	>0.98/>0.95	<10%	0.82	0°F	1.7	1.37/1.41
F17T8 17W	3	120/277	0.37/0.16	43	>0.98/>0.95	<10%	0.86	0°F	1.7	1.95/2.00
F40T8 40W	2	120/277	0.60/0.26	71/70	>0.98	<10%	0.87	32°F	1.7	1.23/1.24
F32T8 32W	2	120/277	0.49/0.21	58/57	>0.98/>0.95	<10%	0.92	0°F	1.7	1.59/1.61

Performance:

- Meets ANSI Standard C82.11
- Meets ANSI Standard C62.41
- Meets FCC Part 18 Class A (non-Consumer Limits)
- CEE "High Performance" 32W T8 Lighting System

Safety:

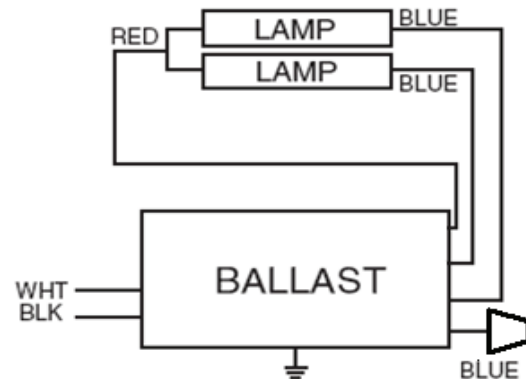
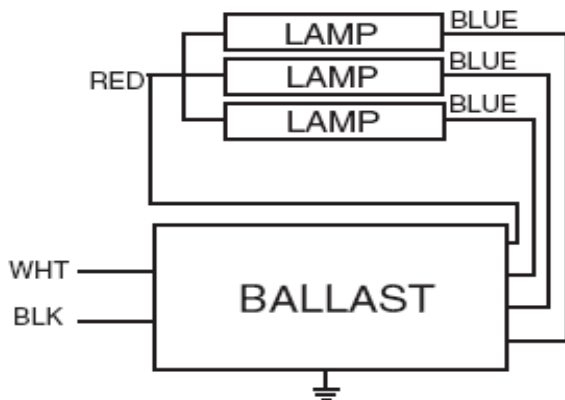
- No PCB's
- UL/CUL Listed
- Class P, Type 1 Outdoor
- OCV 600v

Application:

- Remote Mounting: 18ft. Max overall lead length, 18.
- Maximum Case Temperature 75°C / 167° F
- Sound Rated - "A"
- Maximum Ambient Temperature 40°C / 105° F

Case	Inches
Length (L)	9.5
Width (W)	1.3
Height (H)	1
Mounting (M)	8.91
Weight	1.10 lbs

Lead Length	Inches (+/-1)
Black	25
White	25
Red	46
Blue	31
Yellow	N/A



Green Electrical Supply

GreenElectricalSupply.com

Call 877-652-9640 for quantity discounts and low price guarantee.