



Energy Efficient Lighting Products

Model No :	SKEU324/SC
Ballast Type	Electronic
Lamp Operation	Parallel / Instant start
Input Voltage	120-277
Frequency	50/60hz

SPECIFICATION

Lamp Type	No. of Lamps	Input Voltage (V)	Input Current (A)	Input Power (W)	Power Factor	MAX THD (%)	Ballast Factor	Min. Starting Temperature (°F)	Lamp Current Crest Factor	B.E.F.
F32T8 32W	4	120/277	0.93/0.40	112/108	0.98	10%	0.88	0	1.7	0.79/0.81
F25T8 25W	4	120/277	0.72/0.32	87/85	0.98	10%	0.89	0	1.7	1.02/1.05
F17T8 17W	4	120/277	0.49/0.22	59/58	0.98	10%	0.9	0	1.7	1.53/1.55
F32T8/ES 30W	4	120/277	0.88/0.38	105/103	0.98	10%	0.88	0	1.7	0.84/0.85
F32T8/ES 28W	4	120/277	0.82/0.36	99/97	0.98	10%	0.88	0	1.7	0.89/0.91
F32T8/ES 25W	4	120/277	0.77/0.33	92/91	0.98	10%	0.88	0	1.7	0.96/0.97
F48T12 40W	4	120/277	0.79/0.34	94	0.98	10%	0.65	0	1.7	0.69
F48T12 34W	4	120/277	0.65/0.28	77	0.98	10%	0.6	0	1.7	0.78
F48T12 25W	4	120/277	0.78/0.34	93	0.98	10%	0.94	0	1.7	1.01
FT36W 36/39W	4	120/277	0.80/0.35	95	0.98	10%	0.65	0	1.7	0.68
F32T8 32W	3	120/277	0.77/0.34	92/89	0.98	10%	0.94	0	1.7	1.02/1.06
F25T8 25W	3	120/277	0.62/0.25	74/72	0.98	10%	1	0	1.7	1.35/1.39
F17T8 17W	3	120/277	0.46/0.19	54/52	0.98	15%	1.04	0	1.7	1.93/2
F32T8/ES 30W	3	120/277	0.73/0.32	87/85	0.98	10%	1	0	1.7	1.15/1.18
F32T8/ES 28W	3	120/277	0.68/0.29	82/80	0.98	10%	1	0	1.7	1.22/1.25
F32T8/ES 25W	3	120/277	0.63/0.27	75/73	0.98	10%	1	0	1.7	1.33/1.37
F48T12 40W	3	120/277	0.66/0.29	78	0.98	10%	0.72	0	1.7	0.92
F48T12 34W	3	120/277	0.55/0.24	65	0.98	10%	0.6	0	1.7	0.92
F48T12 25W	3	120/277	0.64/0.28	77	0.98	10%	1	0	1.7	1.3
FT36W 36/39W	3	120/277	0.65/0.28	77	0.98	10%	0.68	0	1.7	0.88
FT40W 40W	3	120/277	0.87/0.38	104	0.98	10%	0.88	0	1.7	0.85
F40T8 40W	3	120/277	0.95/0.41	114/109	0.98	10%	0.92	32	1.7	0.81/0.84

Performance:

- Meets ANSI Standard C82.11
- Meets ANSI Standard C62.41
- Meets FCC Part 18 Class A (non-Consumer Limits)
- CEE "High Performance" 32W T8 Lighting System

Safety:

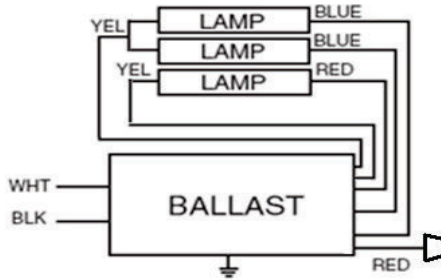
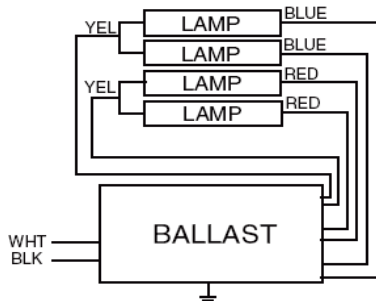
- No PCB's
- UL/CUL Listed
- Class P, Type 1 Outdoor
- OCV 600v

Application:

- Remote Mounting: 18ft. Max overall lead length, 18AWG
- Maximum Case Temperature 75°c / 167° F
- Sound Rated - "A"
- Maximum Ambient Temperature 40°c / 105° F

Case	Inches
Length (L)	9.5
Width (W)	1.3
Height (H)	1
Mounting (M)	8.91
Weight	1.2 lbs

Lead Length	Inches (+/-1)
Black	25
White	25
Red	31
Blue	31
Yellow	46



Green Electrical Supply GreenElectricalSupply.com
Call 877-652-9640 for quantity discounts and low price guarantee.