
Standard : BALLAST SPECIFICATION

M o d e l : SKEU324S

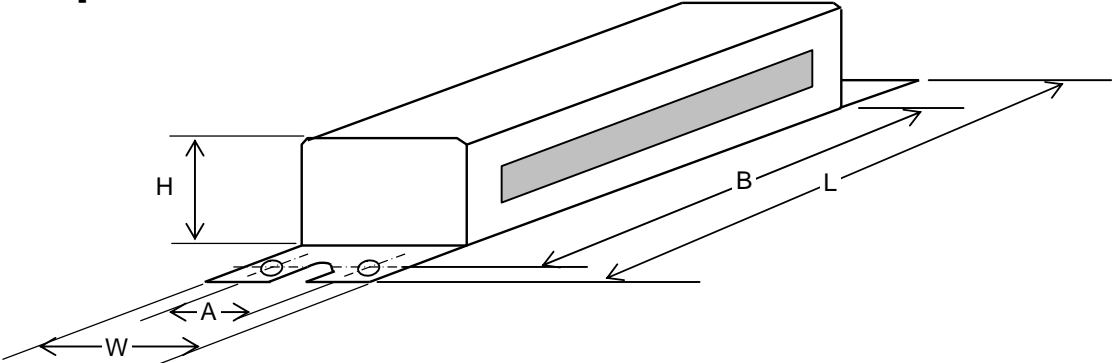
Input voltage :	120 to 277 volts AC \pm10%; 50/60Hz
Power factor :	> 0.99
THD :	< 10%
3rd Harmonic content :	< 6%
Line transient protection :	Withstand transients defined in ANSI C62.41-1993
EMI :	FCC Parts 18, Subparts C, Class A
Lamp configuration :	Independent parallel
Number of Lamps :	3 or 4
Lamps :	F32T8, F25T8, F17T8, F32T8/ES(28W or 25W) FT40W/2G11 (3 lamps Only)
Type of start :	Instant start
Minimum starting temperature :	0°F
Ballast factor :	0.88
Lamp current crest factor :	< 1.7
Flicker :	< 2%
Lamp current frequency :	> 40kHz
Sound rated :	Class A
Enclosure protection :	Painted sheet steel
Remote Mounting :	10' max lead length, 18AWG lead wire
Weight :	About 0.7kg
UL type :	Type 1 outdoor
Safety approvals :	UL, cULus



Standard : BALLAST SPECIFICATION

Model : SKEU324AS

[DIMENSION]



Physical Parameters : inch / cm

L	W	H	B	A
9.448/24.00	1.688/4.287	1.187/3.015	8.858/22.50	1.220/3.10

[WIRING DIAGRAM]

