



Energy Efficient Lighting Products

Model No :	SKEU324H/SC
Ballast Type	Electronic
Lamp Operatio	Parallel / Instant start
Input Voltage	120-277
Frequency	50/60hz

**SPECIFICATION**

Lamp Type	No. of Lamps	Input Voltage	Input Current	Input Watts	Power Factor	THD	Ballast Factor	Min. Starting Temperature	Lamp Current Crest Factor	B.E.F.
F32T8 32W	4	120/277	1.24/0.53	145	>0.98	<10%	1.16	0°F	1.7	0.80/0.81
F32T8/ES 30W	4	120/277	1.01/0.44	121/119	>0.98	<10%	1.16	0°F	1.7	0.96/0.97
F32T8/ES 28W	4	120/277	0.98/0.42	118/116	>0.98	<10%	1.16	0°F	1.7	0.98/1.00
F32T8/ES 25W	4	120/277	0.91/0.40	109/107	>0.98	<10%	1.16	0°F	1.7	1.06/1.08
F25T8 25W	4	120/277	0.92/0.40	110/108	>0.98	<10%	1.18	0°F	1.7	1.07/1.09
F17T8 17W	4	120/277	0.63/0.29	77/76	>0.98	<10%	1.2	0°F	1.7	1.56/1.58
FB32T8 32W	4	120/277	1.24/0.53	145/144	>0.98	<10%	1.16	0°F	1.7	0.80/0.81
F40T8 40W	3	120/277	1.22/0.51	143/142	>0.98	<10%	1.25	0°F	1.7	0.87/0.89
F32T8 32W	3	120/277	1.01/0.45	122/120	>0.98	<10%	1.24	0°F	1.7	1.02/1.03
F25T8 25W	3	120/277	0.75/0.32	90/87	>0.98	<10%	1.28	0°F	1.7	1.42/1.47
F17T8 17W	3	120/277	0.52/0.24	63	>0.98	<10%	1.29	0°F	1.7	2.05/2.05

**Performance:**

- Meets ANSI Standard C82.11
- Meets ANSI Standard C62.41
- Meets FCC Part 18 Class A (non-Consumer Limits)

**Safety:**

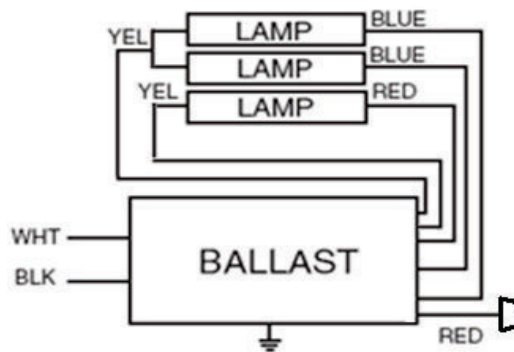
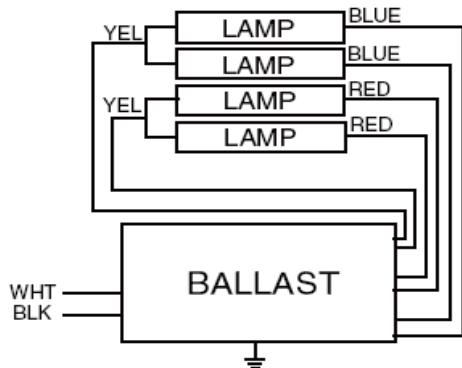
- No PCB's
- UL/CUL Listed
- Class P, Type 1 Out
- OCV 600v

**Application:**

- Remote Mounting: 18ft. Max overall lead length, 18A
- Maximum Case Temperature 75°c / 167° F
- Sound Rated - "A"
- Maximum Ambient Temperature 40°c / 105° F

Case	Inches
Length (L)	9.5
Width (W)	1.7
Height (H)	1.2
Mounting (M)	8.91
Weight	1.7 lbs

Lead Length	Inches (+/-1)
Black	25
White	25
Red	31
Blue	31
Yellow	46



**Green Electrical Supply**

**GreenElectricalSupply.com**

**Call 877-652-9640 for quantity discounts and low price guarantee.**