



Energy Efficient Lighting Products

Model No :	SKEU324HE/SC
Ballast Type	Electronic
Lamp Operatic	Parallel / Instant start
Input Voltage	120-277
Frequency	50/60hz

**SPECIFICATION**

Lamp Type	No. of Lamps	Input Voltage (V)	Input Current (A)	Input Power (W)	Power Factor	MAX THD (%)	Ballast Factor	Min. Starting Temperature (°F)	Lamp Current Crest Factor	B.E.F.
F32T8 32W	4	120/277	0.94/0.40	110/108	0.98	<10%	0.88	0	1.7	0.80/0.81
F25T8 25W	4	120/277	0.73/0.32	86	0.98	<10%	0.89	0	1.7	1.03
F17T8 17W	4	120/277	0.50/0.22	59	0.98	<10%	0.91	0	1.7	1.54
F32T8/ES 30W	4	120/277	0.89/0.39	105	0.98	<10%	0.88	0	1.7	0.84
F32T8/ES 28W	4	120/277	0.82/0.36	97/96	0.98	<10%	0.88	0	1.7	0.91/0.92
F32T8/ES 25W	4	120/277	0.74/0.32	87	0.98	<10%	0.88	0	1.7	1.01
F48T12 40W	4	120/277	0.79/0.34	94	0.98	<10%	0.65	0	1.7	0.69
F48T12 34W	4	120/277	0.65/0.28	77	0.98	<10%	0.60	0	1.7	0.78
F48T12 25W	4	120/277	0.78/0.34	93	0.98	<10%	0.94	0	1.7	1.01
FT36W 36/39W	4	120/277	0.80/0.35	95	0.98	<10%	0.65	0	1.7	0.68
F32T8 32W	3	120/277	0.76/0.33	91/90	0.98	<10%	0.98	0	1.7	1.08/1.09
F25T8 25W	3	120/277	0.60/0.27	72	0.98	<10%	0.98	0	1.7	1.36
F17T8 17W	3	120/277	0.42/0.19	50	0.98	<15%	1.01	0	1.7	2.02
F32T8/ES 30W	3	120/277	0.71/0.31	84	0.98	<10%	0.98	0	1.7	1.17
F32T8/ES 28W	3	120/277	0.67/0.29	80	0.98	<10%	0.98	0	1.7	1.23
F32T8/ES 25W	3	120/277	0.60/0.27	72	0.98	<10%	0.98	0	1.7	1.36
F48T12 40W	3	120/277	0.66/0.29	78	0.98	<10%	0.72	0	1.7	0.92
F48T12 34W	3	120/277	0.55/0.24	65	0.98	<10%	0.60	0	1.7	0.92
F48T12 25W	3	120/277	0.64/0.28	77	0.98	<10%	1.00	0	1.7	1.3
FT36W 36/39W	3	120/277	0.65/0.28	77	0.98	<10%	0.68	0	1.7	0.88
FT40W 40W	3	120/277	0.87/0.38	104	0.98	<10%	0.88	0	1.7	0.85
F40T8 40W	3	120/277	0.95/0.41	114/109	0.98	<10%	0.92	32	1.7	0.81/0.84

**Performance:**

- Meets ANSI Standard C82.11
- Meets ANSI Standard C62.41
- Meets FCC Part 18 Class A (non-Consumer Limits)
- CEE "High Performance" and "Reduced Wattage" 32W T8 Lighting System

**Safety:**

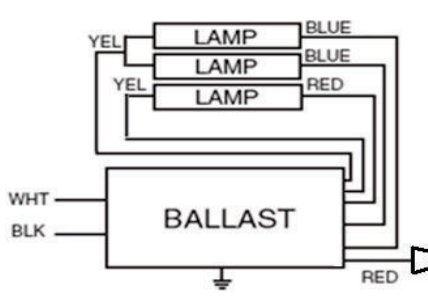
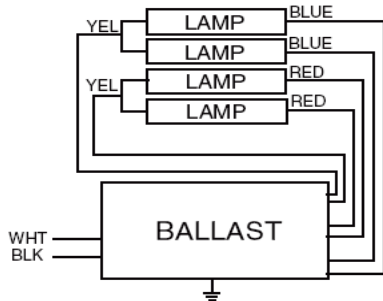
- No PCB's
- UL/CUL Listed
- Class P, Type 1 Outdoor
- OCV 600v

**Application:**

- Remote Mounting: 18ft. Max overall lead length, 18A
- Maximum Case Temperature 75°c / 167° F
- Sound Rated - "A"
- Maximum Ambient Temperature 40°c / 105° F

Case	Inches
Length (L)	9.5
Width (W)	1.3
Height (H)	1
Mounting (M)	8.91
Weight	1.2 lbs

Lead Length	Inches (+/-1)
Black	25
White	25
Red	31
Blue	31
Yellow	46



**Green Electrical Supply**

**GreenElectricalSupply.com**

**Call 877-652-9640 for quantity discounts and low price guarantee.**