

Electronics Ballast

Standard : BALLAST SPECIFICATION

Model : SKEU324HE

Input voltage : 120 - 277Volts, 50/60Hz
 Power factor : > 0.99
 THD : < 10%
 3rd Harmonic content : < 6%
 Line transient protection : Withstand transients defined in ANSI C62.41-1993
 EMI : FCC Parts 18, Subparts C, Class A
 Lamps : Four or three or two or one F32T8
 Four or three or two or one F25T8
 Four or three or two F17T8

Lamps		Volts	Input Watts	B. F	Power Factor	Ballast Efficacy Factor	THD(%)					
Type	#											
F32T8	4	120	109	0.87	>0.99	0.80	<10%					
		277	106	0.87	>0.99	0.82	<10%					
F32T8	3	120	TBD									
		277										
F32T8	2	120										
		277										
F32T8	1	120										
		277										
F25T8	4	120						87.00	0.89	>0.99	1.02	<10%
		277						85.00	0.89	>0.99	1.05	<10%
F25T8	3	120						TBD				
		277										
F25T8	2	120										
		277										
F17T8	4	120	59.00	0.90	>0.99	1.53	<10%					
		277	58.00	0.90	>0.99	1.55	<10%					
F17T8	3	120	TBD									
		277										
F17T8	2	120										
		277										

Flicker : < 2%
 Lamp configuration : Independent parallel
 Type of start : Instant start
 Minimum starting temperature : 0°F (-18°C)
 Lamp current frequency : 45kHz
 Sound rated : Class A
 Remote Mounting : 6,400mm. Min. lead length, 18AWG Lead Wires
 Weight : About 0.7kg

Electronics Ballast

Date : Feb 18, 2006

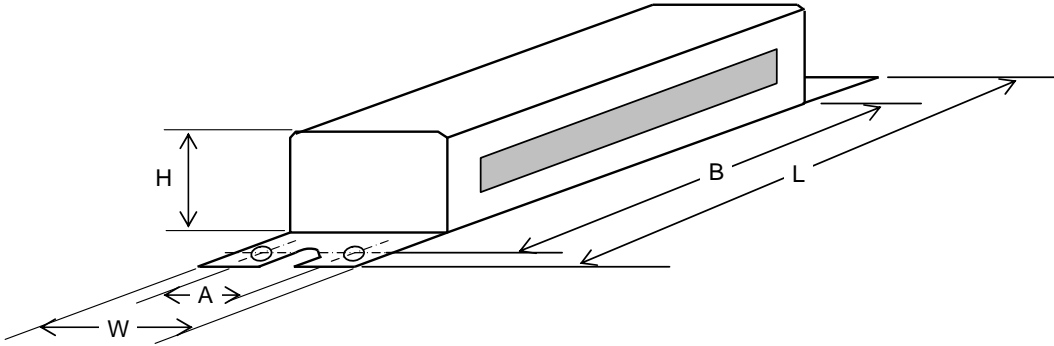
Rev. : 1

Page : 2/2

Standard : BALLAST SPECIFICATION

Model : SKEU324HE

[DIMENSION]



Physical Parameters : inch / cm

L	W	H	B	A
9.448/24.00	1.688/4.287	1.187/3.015	8.858/22.50	1.220/3.10

[WIRING DIAGRAM]

