



Energy Efficient Lighting Products

Model No :	SKEU324HEL/SC
Ballast Type	Electronic
Lamp Operation	Parallel / Instant start
Input Voltage	120-277
Frequency	50/60hz

SPECIFICATION

Lamp Type	No. of Lamps	Input Voltage (V)	Input Current (A)	Input Power (W)	Power Factor	MAX THD (%)	Ballast Factor	Min. Starting Temperature (°F)	Lamp Current Crest Factor	B.E.F.
F32T8 32W	4	120/277	0.82/0.35	98/96	>0.98	<10%	0.77	0	1.7	0.79/0.80
F25T8 25W	4	120/277	0.64/0.27	76/74	>0.98	<10%	0.78	0	1.7	1.03/1.05
F17T8 17W	4	120/277	0.46/0.19	54/52	>0.98	<10%	0.81	0	1.7	1.50/1.56
F32T8/ES 30W	4	120/277	0.76/0.32	90/88	>0.98	<10%	0.77	0	1.7	0.86/0.88
F32T8/ES 28W	4	120/277	0.71/0.30	84/82	>0.98	<10%	0.77	0	1.7	0.92/0.94
F32T8/ES 25W	4	120/277	0.65/0.28	76	>0.98	<10%	0.77	0	1.7	1.01
F32T8 32W	3	120/277	0.68/0.29	81/80	>0.98	<10%	0.82	0	1.7	1.01/1.03
F25T8 25W	3	120/277	0.53/0.22	62/61	>0.98	<10%	0.84	0	1.7	1.35/1.38
F17T8 17W	3	120/277	0.37/0.18	44	>0.98	<15%	0.87	0	1.7	1.98
F32T8/ES 30W	3	120/277	0.62/0.27	75/74	>0.98	<10%	0.84	0	1.7	1.12/1.14
F32T8/ES 28W	3	120/277	0.57/0.25	69/68	>0.98	<10%	0.85	0	1.7	1.23/1.25
F32T8/ES 25W	3	120/277	0.53/0.23	63/62	>0.98	<10%	0.85	0	1.7	1.35/1.37
F40T8 40W	3	120/277	0.82/0.35	98/96	>0.98	<10%	0.84	32	1.7	0.86/0.88

Performance:

- Meets ANSI Standard C82.11
- Meets ANSI Standard C62.41
- Meets FCC Part 18 Class A (non-Consumer Limits)
- CEE "High Performance" and "Reduced Wattage" 32W T8 Lighting System

Safety:

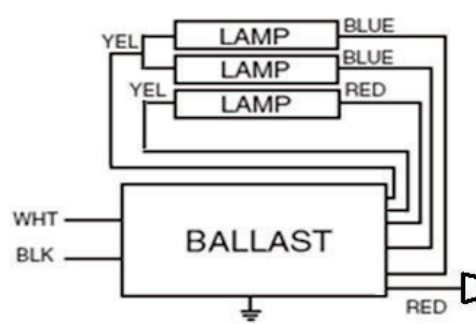
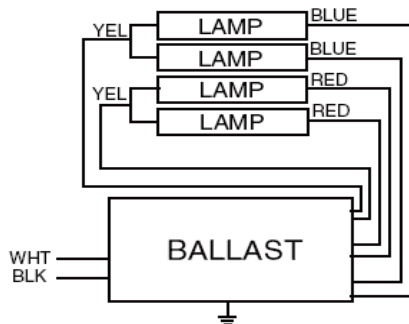
- No PCB's
- UL/CUL Listed
- Class P, Type 1 Outdoor
- OCV 600v

Application:

- Remote Mounting: 18ft. Max overall lead length, 18/
- Maximum Case Temperature 75°c / 167° F
- Sound Rated - "A"
- Maximum Ambient Temperature 40°c / 105° F

Case	Inches
Length (L)	9.5
Width (W)	1.3
Height (H)	1
Mounting (M)	8.91
Weight	1.2 lbs

Lead Length	Inches (+/-1)
Black	25
White	25
Red	31
Blue	31
Yellow	46



Green Electrical Supply

GreenElectricalSupply.com

Call 877-652-9640 for quantity discounts and low price guarantee.