



Energy Efficient Lighting Products

Model No :	SKEU542HOP/SC
Ballast Type	Electronic
Lamp Operation	Series / Programmed start
Input Voltage	120-277
Frequency	50/60hz

SPECIFICATION

Lamp Type	No. of Lamps	Input Voltage	Input Current	Input Watts	Power Factor	THD	Ballast Factor	Min. Starting Temperature	Lamp Current Crest Factor	B.E.F.
F54T5/HO 54W	2	120/277	1.00/0.43	120/117	0.98	10%	1	0°	1.7	0.83/0.85
F54T5/HO ES- 49W	2	120/277	0.93/0.40	112/109	0.98	10%	1	0°	1.7	0.89/0.92
FC12T5HO 55W	2	120/277	0.87/0.37	106/103	0.98	15%	0.86	0°	1.7	0.81/0.83
FT36 36W	2	120/277	0.71/31	89/87	0.98	15%	1.18	0°	1.7	1.33/1.36
F55W 55W	2	120/277	0.94/0.40	112/109	0.98	10%	0.91	0°	1.7	0.81/0.83
F54T5/HO 54W	1	120/277	0.52/0.23	62	0.96	10%	1.03	0°	1.7	1.66
F54T5/HO ES- 49W	1	120/277	0.49/0.21	58	0.96	10%	1.02	0°	1.7	1.76
FC12T5HO 55W	1	120/277	0.45/0.20	55	0.97	20%	0.88	0°	1.7	1.60
FT36 36W	1	120/277	0.38/0.18	46	0.95	20%	1.20	0°	1.7	2.61
F55W 55W	1	120/277	0.51/0.22	58	0.96	20%	0.93	0°	1.7	1.6

Performance:

- Meets ANSI Standard C82.11
- Meets ANSI Standard C62.41
- Meets FCC Part 18 Class A (non-Consumer Limits)

Safety:

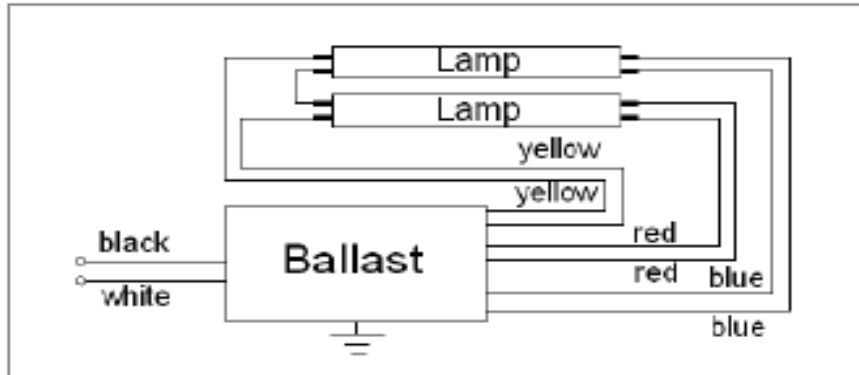
- No PCB's
- UL/CUL Listed
- Class P, Type 1 Outdoor
- OCV 300v

Application:

- Remote Mounting: 18ft. Max overall lead length, 18AWG
- Maximum Case Temperature 75°c / 167° F
- Sound Rated - "A"
- Maximum Ambient Temperature 40°c / 105° F

Case	Inches
Length (L)	9.5
Width (W)	1.3
Height (H)	1
Mounting (M)	8.91
Weight	1.1

Lead Length	Inches (+/-1)
Black	25
White	25
Red	31
Blue	31
Yellow	46



Green Electrical Supply GreenElectricalSupply.com
Call 877-652-9640 for quantity discounts and low price guarantee.