



Energy Efficient Lighting Products

Model No :	SKEU544HOP/SC
Ballast Type	Electronic
Lamp Operation	Series / Programmed start
Input Voltage	120-277
Frequency	50/60hz

SPECIFICATION

Lamp Type	No. of Lamps	Input Voltage	Input Current	Input Watts	Power Factor	THD	Ballast Factor	Min. Starting Temperature	Lamp Current Crest Factor	B.E.F.
F54T5/HO 54W	4	120/277	2.00/0.86	240/234	0.98	10%	1	0/-18	1.7	0.42/0.43
F54T5/HO ES-49W	4	120/277	1.85/0.79	222/216	0.98	10%	1	0/-18	1.7	0.45/0.46
FC12T5HO 55W	4	120/277	1.74/0.74	212/206	0.98	15%	0.86	0/-18	1.7	0.41/0.42
FT36 36W	4	120/277	1.42/0.62	178/174	0.98	15%	1.18	0/-18	1.7	0.66/0.68
F55W 55W	4	120/277	1.88/0.80	224/218	0.98	10%	0.91	0/-18	1.7	0.41/0.42
F50W 50W	4	120/277	1.98/0.84	236/230	0.98	10%	1.12	0/-18	1.7	0.47/0.49
F54T5/HO 54W	3	120/277	1.52/0.66	182/179	0.96	10%	1.03	0/-18	1.7	0.57/0.58
F54T5/HO ES-49W	3	120/277	1.40/0.61	168/165	0.96	10%	1	0/-18	1.7	0.59/0.61
FC12T5HO 55W	3	120/277	1.32/0.57	161/158	0.97	20%	0.88	0/-18	1.7	0.55/0.56
FT36 36W	3	120/277	1.09/0.49	135/133	0.96	20%	1.2	0/-18	1.7	0.89/0.90
F55W 55W	3	120/277	1.45/0.62	170/167	0.96	20%	0.93	0/-18	1.7	0.55/0.56
F50W 50W	3	120/277	1.51/0.65	179/176	0.97	20%	1.15	0/-18	1.7	0.64/0.65

Performance:

- Meets ANSI Standard C82.11
- Meets ANSI Standard C62.41
- Meets FCC Part 18 Class A (non-Consumer Limits)

Safety:

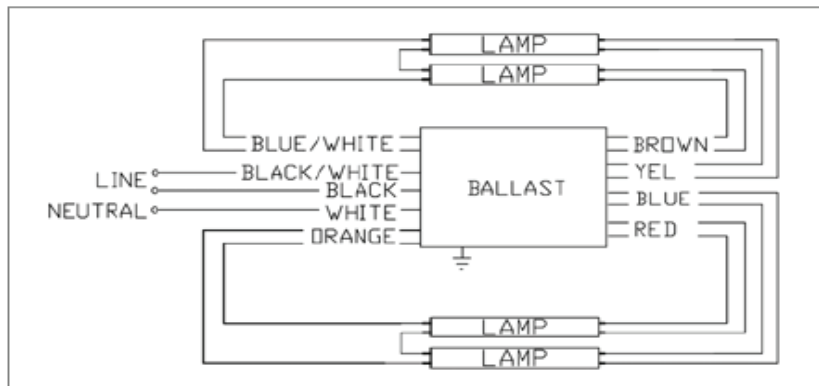
- No PCB's
- UL/CUL Listed
- Class P, Type 1 Outdoor
- OCV 300v

Application:

- Remote Mounting: 18ft. Max overall lead length, 18AWG
- Maximum Case Temperature 75°C / 167° F
- Sound Rated - "A"
- Maximum Ambient Temperature 40°C / 105° F

Case	Inches
Length (L)	16.7
Width (W)	1.7
Height (H)	1.2
Mounting (M)	8.91
Weight	2.5

Lead Length	Inches (+/-1)
Black	25
White	25
Red/Brown	31
Blue/Gray	31
Yellow/Orange	46



Green Electrical Supply

GreenElectricalSupply.com

Call 877-652-9640 for quantity discounts and low price guarantee.