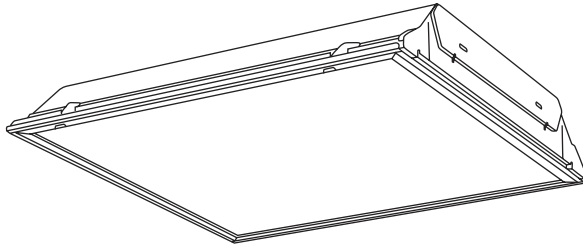


CATALOG NUMBER	TYPE

Versatile Troffer and Lens TY, TB, TC, TE, TK, TL, TN, TO, TP, TQ, TU, TW, TX, TZ

2' x 2'



SIMKAR's technology
ensures sure firing
of U-bend lamps –
first time, every time

Housing: Die-formed heavy gauge steel with high-gloss baked white enamel finish (minimum reflectance 86%) over rust inhibiting phosphate coat. X prefix specifies durable high gloss powder coat post paint finish (90% reflectance) over rust inhibiting phosphate coat. Flush white steel door frame (TE standard with black) with mitered corners can be hinged from either side. Access plate providing two knockouts and grounding screw.

Shielding: A variety of acrylic lens and louvers available. Specular silver or gold finishes available.

Electrical: Fully wired for 120V, 60Hz AC operation, thermally protected, automatic resetting, Class P, sound rated A, high-power factor ballast, unless otherwise specified. Electronic T8 shall be instant start, <20% harmonic distortion standard, specify suffix UNV for <10% harmonic distortion. Specify suffix UNV for universal voltage, 120 through 277V, 50/60Hz AC operation, Electronic T8 only. End of life protection is standard on twin tube fixtures. UL and C-UL listed.

Mounting: Lay-in (T) or Flange (F) troffer. 2 x 2 flanged fixtures require field assembly.

Critical Application: SIMKAR strives to offer the most current product designs and value. Consequently, all SIMKAR products are subject to redesign and revision. Critical applications such as size, operating temperature, or sensor operation should be confirmed with the factory.

FEATURES AND BENEFITS

- | | | |
|---|---|--|
| Versatile and efficient louver and lens options | ➤ | Ideal when quality and value are desired |
| Metal light trap standard | ➤ | Does not deteriorate like some gasketing |
| Swing action cam latches | ➤ | Easy access with no tools needed |
| Built-in T-bar clips | ➤ | Safely and securely hold fixture to T-bar |
| Upturned side rails and hemmed end plate | ➤ | For strength and safer handling |
| Lamp-pin slots | ➤ | Ease of lamp installation |
| Built-in door hinge | ➤ | Allows door to hinge or latch from either side |

ORDERING INFORMATION

Example: TY242232UB11FL4120V

MOUNTING	SPEC DOOR	SIZE	LAMPS	BALLAST	SPECIAL FEATURE	VOLTAGE
T - Lay-In F - Flange XF - Powder coat, flange XT - Powder coat, lay-in	White steel, standard FW - Flat white aluminum RB - Regressed black RW - Regressed white	242 - 2 x 2	132U - (1) 32W U6" T8 217 - (2) 17W 24" T8 232U - (2) 32W U6" T8* 240U - (2) 40W U6" T12 240TT - (2) 40W 22" TT 317 - (3) 17W 24" T8 332U - (3) 32W U 1 5/8" T8 340TT - (3) 34 or 40W 22" TT 417 - (4) 17W 24" T8	B10 - Magnetic TT B11 - Electronic T8 B14 - Electronic TT E1 - Energy Saving Magnetic T12	20G - 20 gauge FL - Flex, see page 37 HR - Heat removal, see page 36 L - Lamps Reflectors, see page 36 B - Black door G - Specular gold louver S - Specular silver louver	120V 277V UNV -120-277V
LOUVER / LENS						
B - .125 polycarbonate C - .200 P15 E - Shallow parabolic**† K - .125 prismatic acrylic L - 1/2" x 1/2" x 3/8" egg crate, white	N - Injection molded acrylic prismatic O - .140 High impact P - Acrylic drop dish Q - .125 RFI #12	U - .156 prismatic acrylic X - Parahex louver** Y - Standard A12 prismatic acrylic Z - Customer specified	* For 1 5/8" please specify ** Specify silver or gold finish under Special Feature †36 cells (6 rows of 6)			

For additional information, see chart on pages 39-41.

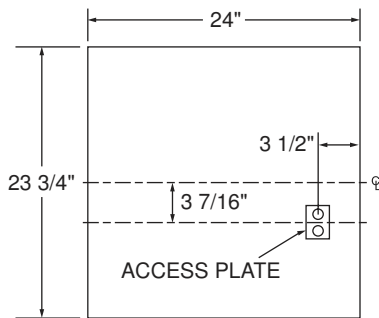
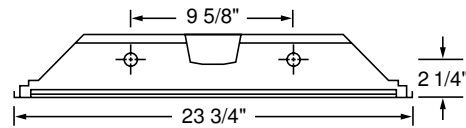
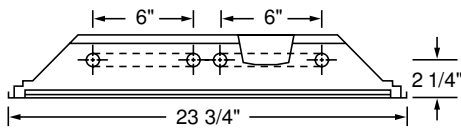
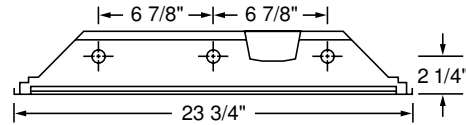
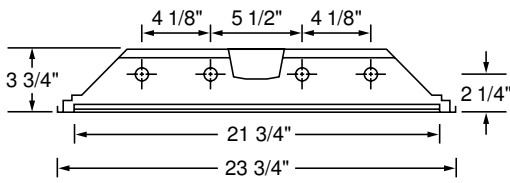
Versatile Troffer and Lens 2' x 2'

PHOTOMETRIC DATA, TY 2-32W U 6" 2 x 2 Model

CANDLEPOWER				LIGHT GUIDE (T8 LAMPS AND ELECTRONIC BALLAST)				COEFFICIENT OF UTILIZATION												
Angle	0	45	90	Area/fixture in sq.ft./lg. room, good conditions - 8' to 10' ceilings				RC	80			70			50					
				Footcandles	2-32W U 6"			RW	70	50	30	70	50	30	50	30	50	30		
0	1629	1629	1629					RCR												
5	1623	1621	1625	35	80			1	77	74	72	75	73	70	70	68				
15	1557	1575	1593	50	56			2	71	66	62	70	65	61	63	60				
25	1416	1464	1510	75	37.5			3	66	60	55	64	59	54	57	53				
35	1180	1249	1331	100	28			4	61	54	48	59	53	48	51	47				
45	840	931	1011	AVERAGE LUMINANCE CD/SQ.M				LIGHT DISTRIBUTION				5	56	48	42	55	47	42	46	41
55	532	580	635	Angle	0	45	90	Zone	Lumens	%Lamp	%Fixture	6	53	43	38	51	43	37	42	37
65	305	263	335	45	3804	4216	4578	0-30	12274	23.2	33.1	7	48	39	33	47	39	33	38	33
75	195	151	209	55	2970	3238	3545	0-40	2055	37.4	53.4	8	44	35	30	43	35	29	34	29
85	74	66	84	65	2311	1993	2538	0-60	3293	59.9	55.6	9	41	32	26	40	31	26	31	26
90	10	11	13	75	2413	1868	2586	0-90	3848	70.0	100.0	10	38	29	24	37	29	23	28	23
				85	2719	2425	3086													

Lamps = (2) F32T8 @ 2750 lumens ea. Input Watts = 56 LER = 65.6 Test #02879 Ballast = Electronic Ballast Factor = 94.9% S/MH: 0° = 1.2; 90° = 1.3
Comparative yearly lighting energy cost per 1000 lumens = \$3.66 based on 3000 hrs. and \$.08 per KWH

DRAWINGS AND DIMENSIONS



3 Lamp or U Lamp