

Project Name:	Location:	Date:	Qty:
Fixture Type:	Prepared by:	Comments:	

The WHB High Bay uses high-powered LED Array chips with different Reflectors/Diffusers making it perfect for many lighting applications. Available from 120W to 200W.

This product is made from domestic and foreign parts. Assembled in the USA. 



2011

Specifications

LED Module:

- Bridgelux LED Emitters
- Custom High Brightness White Array
- Patented Phosphor Technology
- Lumen Degradation(L_{70}): > 80,000 hrs
- No UV, Infrared Emission
- Luminous Efficacy: > 120 lm/W @ 25°C
- CCT: 3000K TO 6000K
- CRI: > 75 Ra

LED Driver Module:

- Input Voltage: AC 100–277 V, 347 V & 480 V
- Power Factor: > .95
- Power Efficiency: > 85%
- THD: < 18%
- Lifespan: > 100,000 hrs @ 80°C internal temp
- UL, cUL, Rated for damp locations
- Patent Driver Technology (Duel Closed Loops)

Luminaire:

- Total Wattages: 120 W, 140 W, 160W, 180W, & 200W
- Ambient Operating Temperature: -30°C to 55°C
- Weight: 10–15 lbs
- Mounting Height: 10'–65'
- IP Rating: IP65
- Replaces 400 to 1000 W HID High Bay Light
- Controllability: Instant On/Off
- Longer lifespan than incandescent, fluorescent, and HID
- High shock and vibration resistance.
- In accordance with CE, UL and FCC testing standards
- Environmentally Friendly: No lead, mercury, argon, xenon or other unsafe materials
- Custom Heat Sink and Optical Diffuser

Options:

1. PIR Sensor
2. DMX512 Control (ON/OFF) Auto Addressable
3. Several type of Diffusers and Reflectors

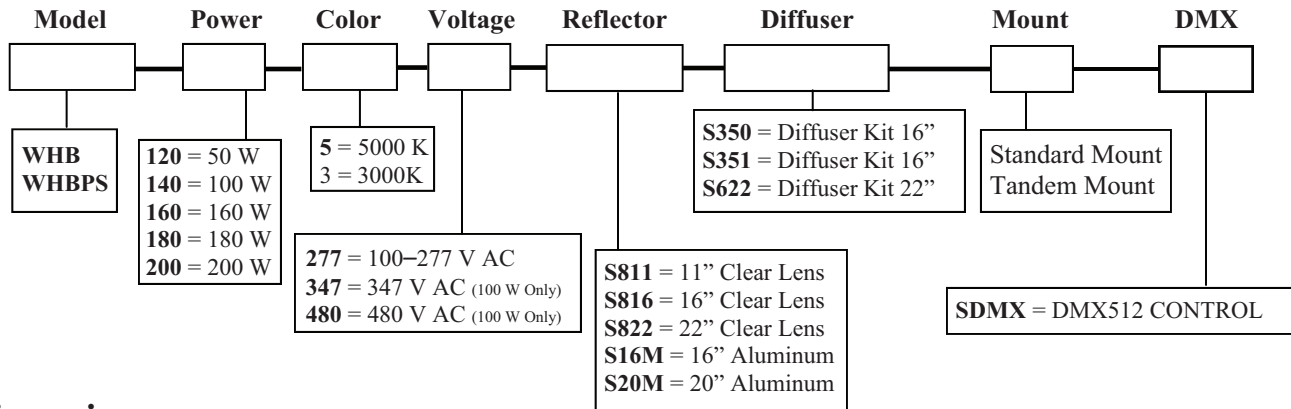
5 Year Labor and Part Warranty against manufacturer defect is provided to use under normal operating condition. Proof of purchase must be provided when warranty service is requested. Notice that improper use or unauthorized repair will not be covered by the warranty. S3J Electronics reserves the right to make changes to this document and to the product without notice.

Green Electrical Supply

GreenElectricalSupply.com

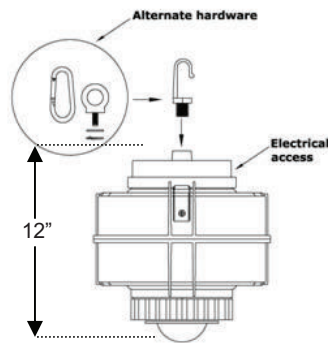
Call 877-652-9640 for quantity discounts and low price guarantee.

Ordering Information

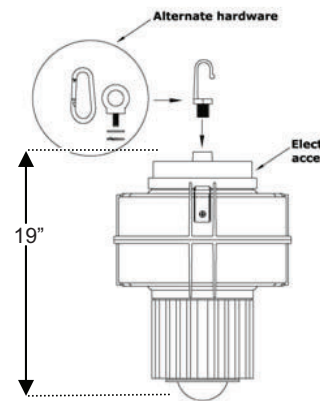


Dimensions

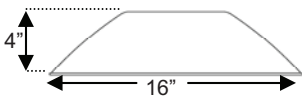
50 Watt Fixture



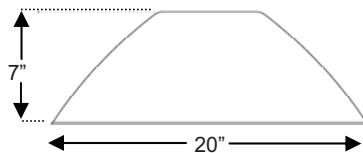
100 & 120 Watt Fixtures



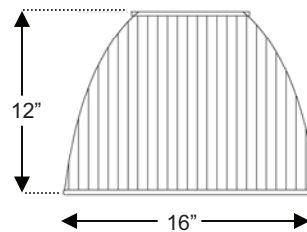
16" Aluminum Reflector



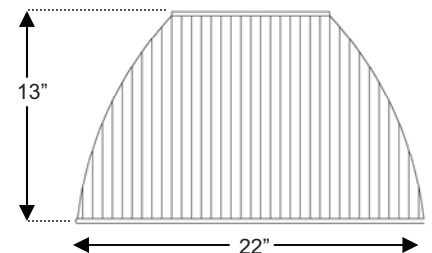
20" Aluminum Reflector



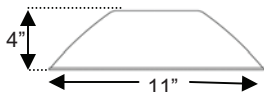
16" Clear Reflector



22" Clear Reflector



11" Clear Reflector



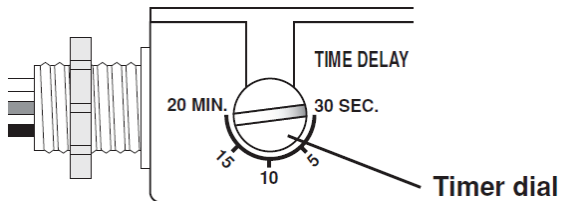
PIR Sensor

PIR Specifications

- Select Setting from 30 Seconds to 20 Minutes
- 20' x 60' Aisle Pattern at 20' Mounting Height
- -30°C to 80°C Sensor Operation
- Three different distribution types: Aisle, High, and Low



It is recommended to use the Aisle Lens (Black) when placing the High Bay in a Warehouse application.



The recommended Time setting for the PIR sensor is 15 minutes.

