

Project Name:	Location:	Date:	Qty:
Fixture Type:	Prepared by:	Comments:	

The WHB High Bay uses a single high-powered LED chip with different reflectors/diffusers making it perfect for many lighting applications. **Listed in the Department of Energy (Lighting Facts Program)**



## Specifications

### LED Module:

- Bridgelux LED Emitters
- Custom High Brightness White Array
- Patented Phosphor Technology
- Lumen Degradation(L<sub>70</sub>): > 80,000 hrs
- No UV, Infrared Emission
- Luminous Efficacy: > 100 lm/W @ 25°C
- CCT: 5000 K
- CRI: > 75 Ra

### LED Driver Module:

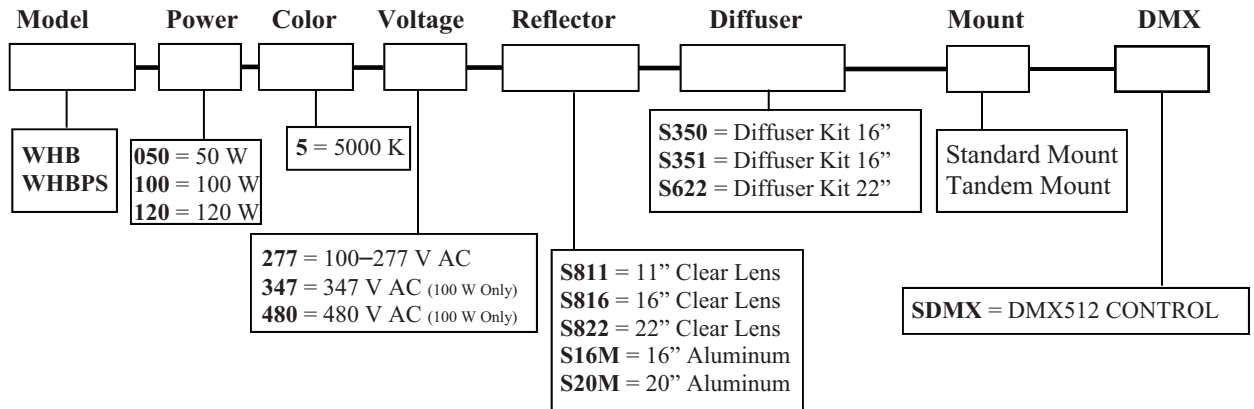
- Input Voltage: AC 100–277 V, 347 V & 480 V
- Power Factor: > 95%
- Power Efficiency: > 85%
- THD: < 10%
- Lifespan: > 75,000 hrs @ 80°C internal temp
- IP Rating: IP65
- Patent Pending

### Luminaire:

- Total Wattages: 50 W(58 W), 100 W(110 W) & 120 W (130 W)\*
- \*120 W High Bay for Cold Storage Locations Only
- Ambient Operating Temperature: -30°C to 40°C
- Weight: 10–15 lbs
- Mounting Height: 10'–65'
- IP Rating: IP65
- Replaces 100 to 400 W HID High Bay Light
- Controllability: Instant On/Off
- Longer lifespan than incandescent, fluorescent, and HID
- High shock and vibration resistance.
- In accordance with CE, UL and FCC testing standards
- Environmentally Friendly: No lead, mercury, argon, xenon or other unsafe materials
- Custom Heat Sink and Optical Diffuser
- Custom Tandem Setup Available

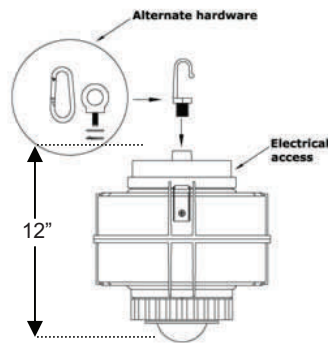
5 Year Labor and Part Warranty against manufacturer defect is provided to use under normal operating condition. Proof of purchase must be provided when warranty service is requested. Notice that improper use or unauthorized repair will not be covered by the warranty. S3J Electronics reserves the right to make changes to this document and to the product without notice.

**Ordering Information**

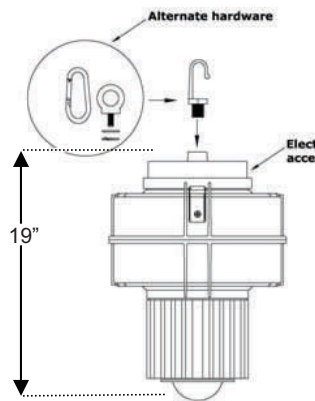


**Dimensions**

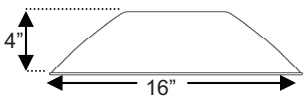
**50 Watt Fixture**



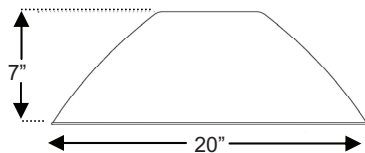
**100 & 120 Watt Fixtures**



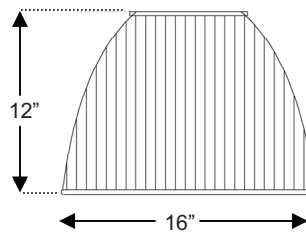
**16" Aluminum Reflector**



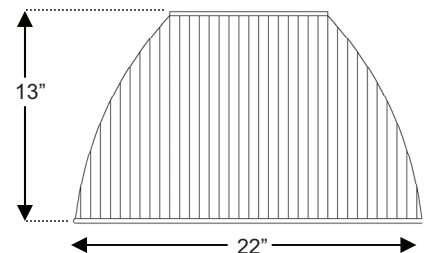
**20" Aluminum Reflector**



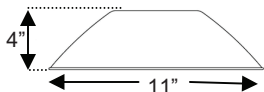
**16" Clear Reflector**



**22" Clear Reflector**

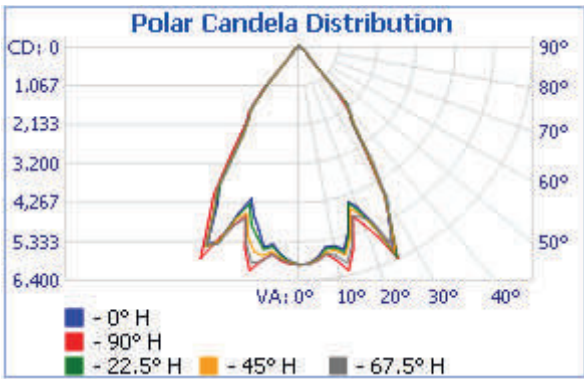


**11" Clear Reflector**



Photometric

WHB-100 W 22" Acrylic

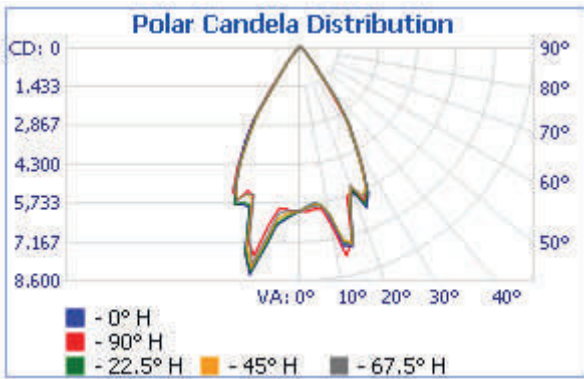


**Illuminance at a Distance**

	Center Beam FC	Beam Width
5.0ft	238.55 fc	4.1ft 6.5ft
10.0ft	59.64 fc	8.2ft 13.0ft
15.0ft	26.51 fc	12.3ft 19.6ft
20.0ft	14.91 fc	16.3ft 26.1ft
25.0ft	9.54 fc	20.4ft 32.6ft
30.0ft	6.63 fc	24.5ft 39.1ft

Vert. Spread: 44.4° Horiz. Spread: 66.2°

WHB-100 W 16" Acrylic

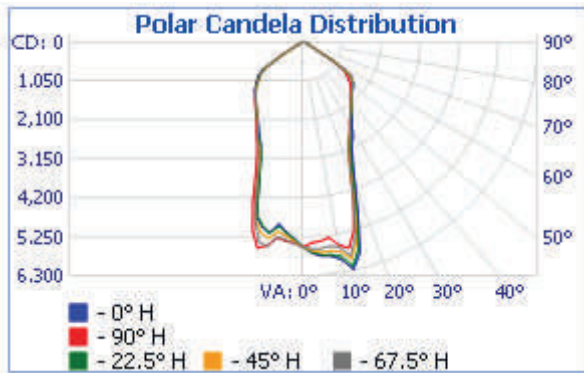


**Illuminance at a Distance**

	Center Beam FC	Beam Width
5.0ft	240.84 fc	5.6ft 4.9ft
10.0ft	60.21 fc	11.2ft 9.8ft
15.0ft	26.76 fc	16.8ft 14.8ft
20.0ft	15.05 fc	22.3ft 19.7ft
25.0ft	9.63 fc	27.9ft 24.6ft
30.0ft	6.69 fc	33.5ft 29.5ft

Vert. Spread: 58.4° Horiz. Spread: 52.4°

WHB-100 W 20" Aluminum

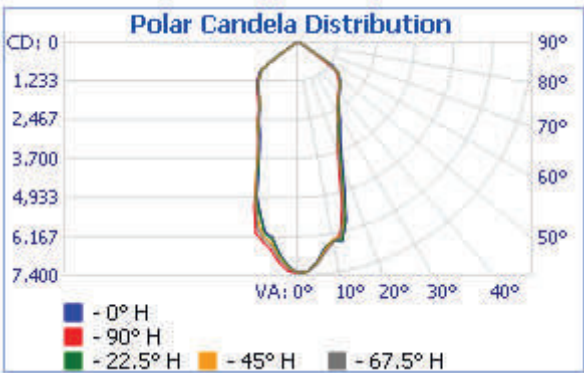


**Illuminance at a Distance**

	Center Beam FC	Beam Width
5.0ft	221.15 fc	4.3ft 3.6ft
10.0ft	55.29 fc	8.6ft 7.1ft
15.0ft	24.57 fc	12.8ft 10.7ft
20.0ft	13.82 fc	17.1ft 14.2ft
25.0ft	8.85 fc	21.4ft 17.8ft
30.0ft	6.14 fc	25.7ft 21.4ft

Vert. Spread: 46.4° Horiz. Spread: 39.2°

WHB-100 W 16" Aluminum



**Illuminance at a Distance**

	Center Beam FC	Beam Width
5.0ft	292.70 fc	3.8ft 3.7ft
10.0ft	73.18 fc	7.6ft 7.4ft
15.0ft	32.52 fc	11.4ft 11.1ft
20.0ft	18.29 fc	15.1ft 14.8ft
25.0ft	11.71 fc	18.9ft 18.5ft
30.0ft	8.13 fc	22.7ft 22.2ft

Vert. Spread: 41.5° Horiz. Spread: 40.5°

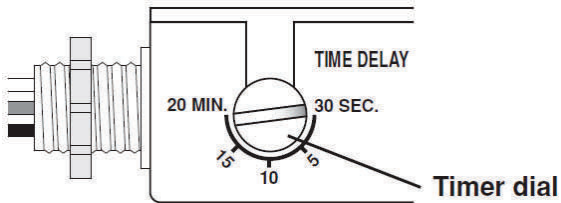
**PIR Sensor**

**PIR Specifications**

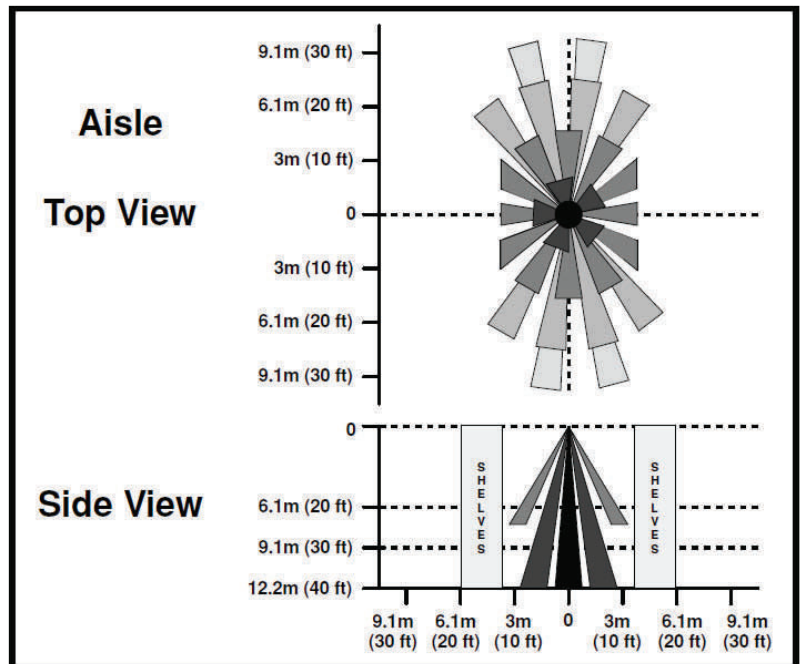
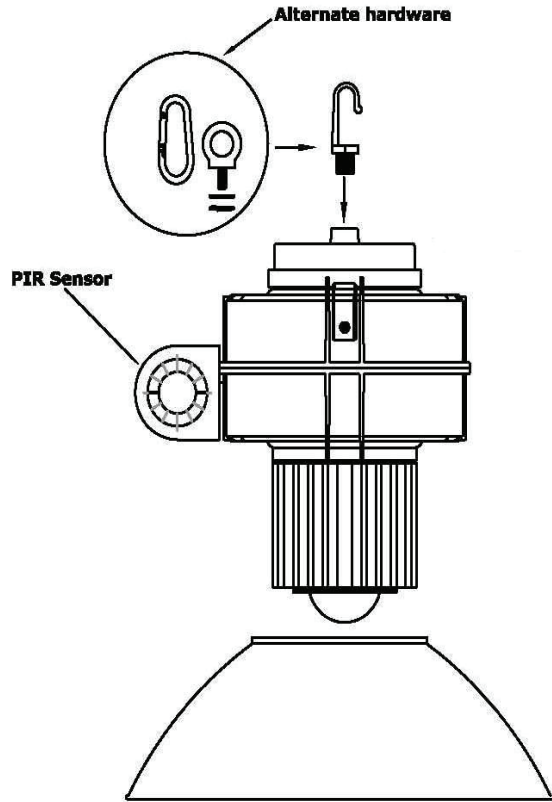
- Select Setting from 30 Seconds to 20 Minutes
- 20' x 60' Aisle Pattern at 20' Mounting Height
- -30°C to 80°C Sensor Operation
- Three different distribution types: Aisle, High, and Low



It is recommended to use the Aisle Lens (Black) when placing the High Bay in a Warehouse application.



The recommended Time setting for the PIR sensor is 15 minutes.



## Tandem Mount Option

The Tandem Mount option allows for 2 high bays to be hung from one mounting location. The total weight of High Bay with the Tandem Mount option is less than 35 lbs. Each unit is sold with a 6' pigtail and will accept up to a 22" reflector. There is strong hardware for support and wire terminal blocks for easy connections. **Please note that customers are responsible for attaching the wires from the tandem mounting bar to the high bay by use of the wire terminal block.**



Front View

Angled View



Side View of Electrical Housing Caps

