

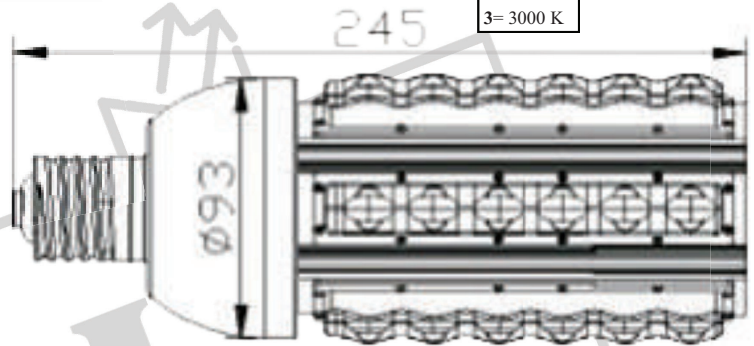
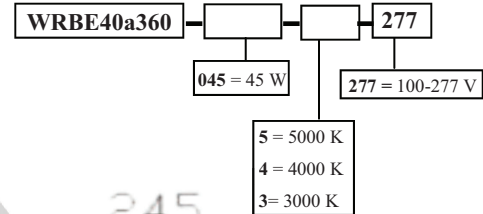
Project Name:	Location:	Date:	Qty:
Fixture Type:	Prepared by:	Comments:	

The WRBE40-360 W Replacement Bulb is an Omni-Directional LED Lamp. With an E39/40 Base at 45 W it can be retro-fitted into any commercial HID fixture. It can replace up to a 175 W to a 200 W HID Bulb and can achieve over 70% energy reduction.

This product is made in the USA 



Product Selection:



Specification:

LED Module:

- (6) x 6 LED Linear Boards
 - * 36 Cree LEDs
- Lumen Degradation(L₇₀): > 80,000 hrs
 - * Based on Cree Inc specifications
- No UV, Infrared Emission
- Luminous Efficacy: > 114 lm/W @ 25°C
- 21 V Board Voltage
- CCT: 5000 K, 4500 K, 3500 K +/- 400K
- CRI: > 80 Ra

LED Driver Module:

- Input Voltage: AC 100–277 V
- Power Factor: > 95%
- Power Efficiency: > 85%
- THD: < 10%
- Lifespan: > 75,000 hrs @ 80°C internal temp
- Patent Pending
- UL Certified Driver

Luminaire:

- Total Fixture Wattages: 45 W
- Ambient Operating Temperature: -30°C to 40°C
- Weight: 2-4 lbs
- IP Rating: IP60
- E40 Base, Optional E26 Base
- Replaces up to 175 W & 200 W HID bulb
- Controllability: Instant On/Off
- Longer lifespan than incandescent, fluorescent, and HID
- Wide voltage and constant-current solid state design
- High shock and vibration resistance
- Environmentally Friendly: No lead, mercury, argon, xenon or other unsafe materials
- Body and Lamp Material: PC and Aluminum Alloy
- Custom designed heat sink

Caution:

This lamp must be controlled only by either a switch or an electronic solid state photo sensor.

Do not use a mechanical sensor...

3 year labor and part warranty against manufacturer defect is provided to use under normal operating condition. Proof of purchase must be provided when warranty service is requested. Notice that improper use or unauthorized repair will not be covered by the warranty.